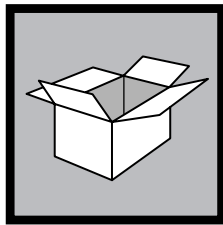
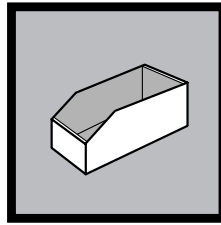


# TABLE OF CONTENTS



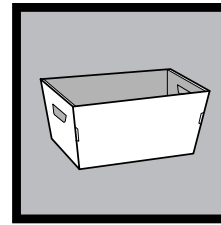
**REGULAR  
SLOTTED  
CONTAINERS**

**Pages 3-12**



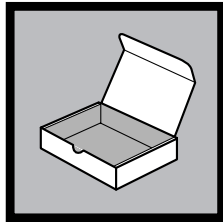
**BIN BOXES**

**Page 18**



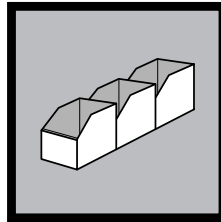
**TOTE TRAYS**

**Page 21**



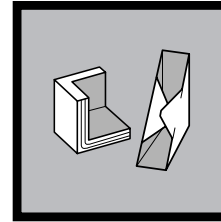
**MAILERS**

**Pages 13-14**



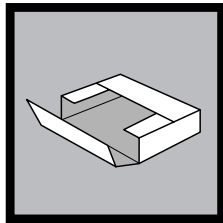
**BIN BOX  
DIVIDERS**

**Page 18**



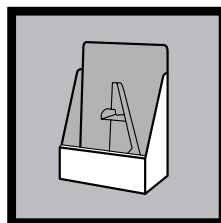
**CORNER  
PADS**

**Page 22**



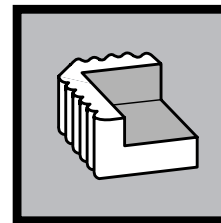
**ONE-PIECE,  
SELF-LOCKING,  
AND  
VARI-DEPTH  
FOLDERS**

**Page 14**



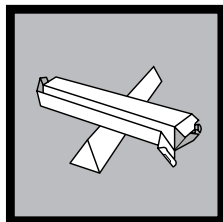
**COUNTER  
DISPLAY  
EASELS**

**Page 19**



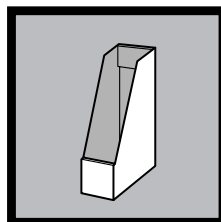
**FOAM  
CORNER  
BLOCKS**

**Page 22**



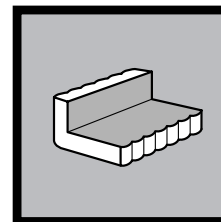
**FIVE PANEL  
FOLDERS AND  
TRIANGULAR  
TUBES**

**Page 15**



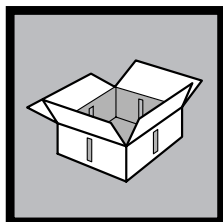
**MAGAZINE-  
LITERATURE  
FILE**

**Page 19**



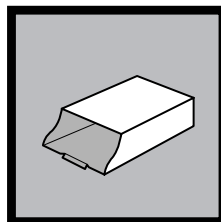
**EDGE  
PROTECTORS**

**Page 23**



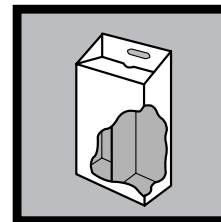
**MEAT PATTIE  
BOX**

**Page 15**



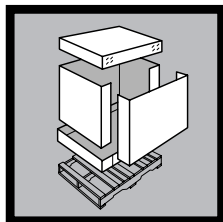
**LITERATURE  
TRAYS**

**Page 19**



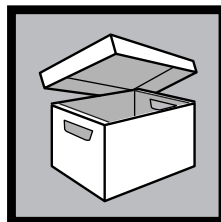
**BOTTLE  
PACKS**

**Page 23**



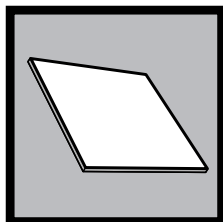
**BULK  
CONTAINERS**

**Page 16**



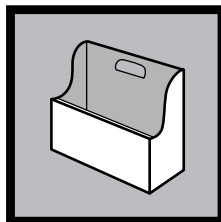
**RECORD  
FILE BOXES**

**Page 20**



**PADS AND  
SHEETS**

**Page 17**



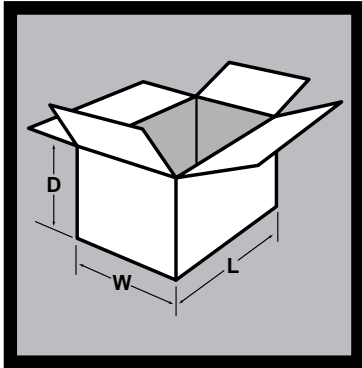
**FILE AID**

**Page 20**

# STOCK CARTONS AVAILABLE

FOR IMMEDIATE DELIVERY

FOR SPECIAL SIZES OR INTERIOR PACKAGING, CONTACT OUR SALESPERSON



## CORRUGATED

## REGULAR SLOTTED CONTAINERS

*Furnished flat in unitized bundles.*

*All Regular Slotted Containers (RSC's) are manufactured to meet Rule 41, Item 222 and ASTM Standard Practice D5118.*

- **TW** boxes are #3 white outside and brown inside.
- **R** boxes are brown both inside and outside.

*All dimensions listed are inside dimensions. The first dimension is **Length**, followed by **Width** and then **Depth**.*

Stock No.	Inside Dimensions L x W x D	No. Per Bundle	No. Per Pallet	Stock No.	Inside Dimensions L x W x D	No. Per Bundle	No. Per Pallet
R2	4 x 4 x 4	25	4375	TW66	6 x 6 x 2	25	3500
TW2	4 x 4 x 4	25	4375	R146	6 x 6 x 3	25	2800
R116	4 x 4 x 5	25	4200	TW146	6 x 6 x 3	25	2800
TW116	4 x 4 x 5	25	4200	R5	6 x 6 x 4	25	2800
R261	4 x 4 x 8	25	3500	TW5	6 x 6 x 4	25	2800
TW261	4 x 4 x 8	25	3500	R147	6 x 6 x 5	25	2800
TW117	4 x 4 x 9	25	2625	TW147	6 x 6 x 5	25	2800
R127	4 x 4 x 12	25	2625	R6	6 x 6 x 6	25	2100
TW127	4 x 4 x 12	25	2625	TW6	6 x 6 x 6	25	2100
R145	4 x 4 x 18	25	1750	R715	6 x 6 x 36	25	700
TW145	4 x 4 x 18	25	1750	R331	6 x 6 x 40	25	700
TW321	4 x 4 x 20	25	1750	TW331	6 x 6 x 40	25	700
R322	4 x 4 x 24	25	1400	R332	6 x 6 x 48	25	500
TW322	4 x 4 x 24	25	1400	TW332	6 x 6 x 48	25	500
R323	4 x 4 x 28	25	1400	TW293	6 <sup>3</sup> / <sub>8</sub> x 4 <sup>1</sup> / <sub>4</sub> x 10 <sup>1</sup> / <sub>4</sub>	25	2100
TW323	4 x 4 x 28	25	1400	R266	6 <sup>3</sup> / <sub>4</sub> x 6 <sup>3</sup> / <sub>4</sub> x 7 <sup>3</sup> / <sub>4</sub>	25	1575
TW324	4 x 4 x 32	25	1050	TW266	6 <sup>3</sup> / <sub>4</sub> x 6 <sup>3</sup> / <sub>4</sub> x 7 <sup>3</sup> / <sub>4</sub>	25	1575
R288	4 x 4 x 36	25	1050	R54	6 <sup>3</sup> / <sub>4</sub> x 6 <sup>3</sup> / <sub>4</sub> x 12 <sup>1</sup> / <sub>8</sub>	25	1050
TW288	4 x 4 x 36	25	1050	TW54	6 <sup>3</sup> / <sub>4</sub> x 6 <sup>3</sup> / <sub>4</sub> x 12 <sup>1</sup> / <sub>8</sub>	25	1050
R325	4 x 4 x 40	25	1050	R99	7 x 5 x 3	25	3500
TW325	4 x 4 x 40	25	1050	TW99	7 x 5 x 3	25	3500
R326	4 x 4 x 48	25	700	R100	7 x 5 x 5	25	2800
TW326	4 x 4 x 48	25	700	TW100	7 x 5 x 5	25	2800
R3	4 <sup>1</sup> / <sub>2</sub> x 4 <sup>1</sup> / <sub>2</sub> x 4 <sup>1</sup> / <sub>2</sub>	25	3500	R123	7 x 6 x 4	25	2625
TW3	4 <sup>1</sup> / <sub>2</sub> x 4 <sup>1</sup> / <sub>2</sub> x 4 <sup>1</sup> / <sub>2</sub>	25	3500	TW123	7 x 6 x 4	25	2625
R1015	5 x 5 x 3	25	3500	R124	7 x 6 x 6	25	2100
R59	5 x 5 x 3 <sup>1</sup> / <sub>2</sub>	25	3500	TW124	7 x 6 x 6	25	2100
TW59	5 x 5 x 3 <sup>1</sup> / <sub>2</sub>	25	3500	R716	7 x 7 x 3	25	2100
R327	5 x 5 x 4	25	3500	R125	7 x 7 x 4	25	2100
TW327	5 x 5 x 4	25	3500	TW125	7 x 7 x 4	25	2100
R74	5 x 5 x 5	25	3500	R101	7 x 7 x 5	25	2100
TW74	5 x 5 x 5	25	3500	TW101	7 x 7 x 5	25	2100
R120	5 x 5 x 10	25	2100	R333	7 x 7 x 6	25	1575
TW120	5 x 5 x 10	25	2100	TW333	7 x 7 x 6	25	1575
TW701	5 <sup>1</sup> / <sub>2</sub> x 5 <sup>1</sup> / <sub>2</sub> x 5 <sup>1</sup> / <sub>2</sub>	25	2800	R7	7 x 7 x 7	25	1575
R1018	6 x 3 x 3	25	4200	TW7	7 x 7 x 7	25	1575
R137	6 x 4 x 3 <sup>1</sup> / <sub>2</sub>	25	4200	R717	7 x 7 x 8	25	1575
TW137	6 x 4 x 3 <sup>1</sup> / <sub>2</sub>	25	4200	R718	7 x 7 x 10	25	1050
R328	6 x 4 x 4	25	3500	R43	7 x 7 x 12	25	1050
TW328	6 x 4 x 4	25	3500	TW43	7 x 7 x 12	25	1050
R4	6 x 4 x 4 <sup>1</sup> / <sub>2</sub>	25	3500	R719	7 <sup>1</sup> / <sub>4</sub> x 5 <sup>3</sup> / <sub>4</sub> x 1 <sup>15</sup> / <sub>16</sub>	25	2625
TW4	6 x 4 x 4 <sup>1</sup> / <sub>2</sub>	25	3500	R68	8 x 4 x 4	25	3500
R714	6 x 5 x 4	25	2800	TW68	8 x 4 x 4	25	3500
R60	6 x 5 x 4 <sup>1</sup> / <sub>2</sub>	25	3500	R150	8 x 5 x 4	25	2625
TW60	6 x 5 x 4 <sup>1</sup> / <sub>2</sub>	25	3500	TW150	8 x 5 x 4	25	2625
R329	6 x 5 x 5	25	2800	R126	8 x 5 x 5	25	2800
TW329	6 x 5 x 5	25	2800	TW126	8 x 5 x 5	25	2800
R66	6 x 6 x 2	25	3500	R334	8 x 6 x 3	25	2100

Stock No.	Inside Dimensions L x W x D	No. Per Bundle	No. Per Pallet	Stock No.	Inside Dimensions L x W x D	No. Per Bundle	No. Per Pallet	
TW334	8 x 6 x 3	25	2100	R69	10 x 4 x 4	25	3150	
R8	8 x 6 x 4	25	2100	TW69	10 x 4 x 4	25	3150	
TW8	8 x 6 x 4	25	2100	R703	10 x 5 x 4	25	2625	
R335	8 x 6 x 5	25	2100	TW703	10 x 5 x 4	25	2625	
TW335	8 x 6 x 5	25	2100	R311	10 x 5 x 5	25	2625	
R61	8 x 6 x 6	25	2100	TW311	10 x 5 x 5	25	2625	
TW61	8 x 6 x 6	25	2100	*TW654	10 x 5 x 83	(FOL) (Ski)	15	270
R153	8 x 8 x 3	25	2100	R725	10 x 6 x 3	25	2100	
TW153	8 x 8 x 3	25	2100	R13	10 x 6 x 4	25	2100	
R9	8 x 8 x 4	25	1575	TW13	10 x 6 x 4	25	2100	
TW9	8 x 8 x 4	25	1575	R167	10 x 6 x 5	25	2100	
R154	8 x 8 x 5	25	1575	TW167	10 x 6 x 5	25	2100	
TW154	8 x 8 x 5	25	1575	R14	10 x 6 x 6	25	1575	
R10	8 x 8 x 6	25	1575	TW14	10 x 6 x 6	25	1575	
TW10	8 x 8 x 6	25	1575	R62	10 x 6 <sup>3</sup> / <sub>4</sub> x 3 <sup>1</sup> / <sub>4</sub>	25	2100	
R1041	8 x 8 x 7	25	1575	TW62	10 x 6 <sup>3</sup> / <sub>4</sub> x 3 <sup>1</sup> / <sub>4</sub>	25	2100	
R11	8 x 8 x 8	25	1050	R168	10 x 7 x 4	25	2100	
TW11	8 x 8 x 8	25	1050	TW168	10 x 7 x 4	25	2100	
R722	8 x 8 x 13 <sup>1</sup> / <sub>4</sub>	25	700	R169	10 x 7 x 5	25	1575	
R337	8 x 8 x 17	25	1050	TW169	10 x 7 x 5	25	1575	
TW337	8 x 8 x 17	25	1050	R259	10 x 7 x 7	25	1575	
TW338	8 <sup>1</sup> / <sub>2</sub> x 6 <sup>5</sup> / <sub>8</sub> x 10 <sup>1</sup> / <sub>4</sub>	25	1050	TW259	10 x 7 x 7	25	1575	
R849	8 <sup>1</sup> / <sub>2</sub> x 8 <sup>1</sup> / <sub>2</sub> x 8	25	1050	R129	10 x 8 x 4	25	1400	
R119	8 <sup>1</sup> / <sub>2</sub> x 8 <sup>1</sup> / <sub>2</sub> x 8 <sup>1</sup> / <sub>2</sub>	25	1050	TW129	10 x 8 x 4	25	1400	
TW119	8 <sup>1</sup> / <sub>2</sub> x 8 <sup>1</sup> / <sub>2</sub> x 8 <sup>1</sup> / <sub>2</sub>	25	1050	R170	10 x 8 x 5	25	1575	
R629	8 <sup>1</sup> / <sub>2</sub> x 8 <sup>1</sup> / <sub>2</sub> x 24	25	500	TW170	10 x 8 x 5	25	1575	
TW340	8 <sup>3</sup> / <sub>4</sub> x 8 x 10 <sup>1</sup> / <sub>4</sub>	25	1050	R15	10 x 8 x 6	25	1050	
TW77	8 <sup>3</sup> / <sub>4</sub> x 8 <sup>3</sup> / <sub>4</sub> x 9 <sup>1</sup> / <sub>2</sub> (TW2, 8 Pack Master)	25	1050	TW15	10 x 8 x 6	25	1050	
R341	9 x 4 x 3	25	3150	R171	10 x 8 x 7	25	1575	
TW341	9 x 4 x 3	25	3150	TW171	10 x 8 x 7	25	1575	
R128	9 x 4 x 4	25	3150	R16	10 x 8 x 8	25	1050	
TW128	9 x 4 x 4	25	3150	TW16	10 x 8 x 8	25	1050	
R342	9 x 5 x 3	25	2625	R704	10 x 9 x 6	25	1050	
TW342	9 x 5 x 3	25	2625	TW704	10 x 9 x 6	25	1050	
R306	9 x 5 x 5	25	2625	TW705	10 x 9 x 8	25	1050	
TW306	9 x 5 x 5	25	2625	R348	10 x 9 x 9	25	700	
TW158	9 x 6 x 2	25	2625	TW348	10 x 9 x 9	25	700	
R102	9 x 6 x 4	25	2100	R349	10 x 10 x 3	25	1050	
TW102	9 x 6 x 4	25	2100	TW349	10 x 10 x 3	25	1050	
R343	9 x 6 x 5	25	2100	R51	10 x 10 x 4	25	1050	
TW343	9 x 6 x 5	25	2100	TW51	10 x 10 x 4	25	1050	
R82	9 x 6 x 5 <sup>1</sup> / <sub>2</sub>	25	2100	R73	10 x 10 x 5	25	1050	
TW82	9 x 6 x 5 <sup>1</sup> / <sub>2</sub>	25	2100	TW73	10 x 10 x 5	25	1050	
R103	9 x 6 x 6	25	2100	R55	10 x 10 x 6	25	1050	
TW103	9 x 6 x 6	25	2100	TW55	10 x 10 x 6	25	1050	
R159	9 x 7 x 4	25	2100	R350	10 x 10 x 7	25	1050	
TW159	9 x 7 x 4	25	2100	TW350	10 x 10 x 7	25	1050	
R336	9 x 7 x 5	25	1400	R83	10 x 10 x 8	25	1050	
TW336	9 x 7 x 5	25	1400	TW83	10 x 10 x 8	25	1050	
R344	9 x 7 x 7	25	1575	R351	10 x 10 x 9	25	700	
TW344	9 x 7 x 7	25	1575	TW351	10 x 10 x 9	25	700	
R345	9 x 8 x 4	25	1400	R17	10 x 10 x 10	25	700	
TW345	9 x 8 x 4	25	1400	TW17	10 x 10 x 10	25	700	
R162	9 x 8 x 6	25	1575	R726	10 x 10 x 10	(275#)	25	500
TW162	9 x 8 x 6	25	1575	R1008	10 x 10 x 10	(275# D/W)	15	300
R702	9 x 8 x 8	25	1050	R645	10 x 10 x 12	25	500	
TW702	9 x 8 x 8	25	1050	R352	10 x 10 x 15	25	500	
R163	9 x 9 x 4	25	1575	TW352	10 x 10 x 15	25	500	
TW163	9 x 9 x 4	25	1575	R353	10 <sup>1</sup> / <sub>2</sub> x 7 <sup>3</sup> / <sub>4</sub> x 6 <sup>7</sup> / <sub>16</sub>	25	1400	
R594	9 x 9 x 5	25	1575	TW353	10 <sup>1</sup> / <sub>2</sub> x 7 <sup>3</sup> / <sub>4</sub> x 6 <sup>7</sup> / <sub>16</sub>	25	1400	
TW594	9 x 9 x 5	25	1575	R727	10 <sup>1</sup> / <sub>2</sub> x 10 <sup>1</sup> / <sub>2</sub> x 5 <sup>1</sup> / <sub>2</sub>	25	1050	
R104	9 x 9 x 6	25	1575	R179	10 <sup>1</sup> / <sub>2</sub> x 10 <sup>1</sup> / <sub>2</sub> x 7 <sup>1</sup> / <sub>2</sub>	25	700	
TW104	9 x 9 x 6	25	1575	TW179	10 <sup>1</sup> / <sub>2</sub> x 10 <sup>1</sup> / <sub>2</sub> x 7 <sup>1</sup> / <sub>2</sub>	25	700	
R346	9 x 9 x 7	25	1050	R354	10 <sup>1</sup> / <sub>2</sub> x 10 <sup>1</sup> / <sub>2</sub> x 10 <sup>1</sup> / <sub>2</sub>	25	500	
TW346	9 x 9 x 7	25	1050	TW354	10 <sup>1</sup> / <sub>2</sub> x 10 <sup>1</sup> / <sub>2</sub> x 10 <sup>1</sup> / <sub>2</sub>	25	500	
R12	9 x 9 x 9	25	1050	R130	11 x 6 x 4	25	2100	
TW12	9 x 9 x 9	25	1050	TW130	11 x 6 x 4	25	2100	
R724	9 x 9 x 25	25	375	TW355	11 x 6 x 5 <sup>1</sup> / <sub>2</sub>	25	1400	
R53	9 <sup>1</sup> / <sub>2</sub> x 9 <sup>1</sup> / <sub>2</sub> x 14 <sup>1</sup> / <sub>4</sub>	25	500	R356	11 x 7 x 7	25	1400	
TW53	9 <sup>1</sup> / <sub>2</sub> x 9 <sup>1</sup> / <sub>2</sub> x 14 <sup>1</sup> / <sub>4</sub>	25	500	TW356	11 x 7 x 7	25	1400	

\*Exceeds U.S. Postal Service 108" max.

Stock No.	Inside Dimensions L x W x D	No. Per Bundle	No. Per Pallet	Stock No.	Inside Dimensions L x W x D	No. Per Bundle	No. Per Pallet
R131	11 x 8 x 6	25	1050	R184	12 x 9 1/2 x 8	25	1050
TW131	11 x 8 x 6	25	1050	TW184	12 x 9 1/2 x 8	25	1050
TW364	11 x 8 x 8	25	700	R185	12 x 9 1/2 x 12	25	500
R729	11 x 8 3/4 x 4 7/8 (275#)	25	750	TW185	12 x 9 1/2 x 12	25	500
R358	11 x 9 x 9	25	1050	R380	12 x 9 1/2 x 16	25	500
TW358	11 x 9 x 9	25	1050	TW380	12 x 9 1/2 x 16	25	500
R593	11 x 11 x 9	25	500	R367	12 x 10 x 3	25	1050
TW593	11 x 11 x 9	25	500	TW367	12 x 10 x 3	25	1050
R181	11 x 11 x 11	25	500	R18	12 x 10 x 4	25	1050
TW181	11 x 11 x 11	25	500	TW18	12 x 10 x 4	25	1050
TW695	11 1/8 x 9 5/8 x 11 1/4	25	500	R57	12 x 10 x 6	25	1050
TW694	11 1/8 x 9 5/8 x 12	25	500	TW57	12 x 10 x 6	25	1050
R84	11 1/4 x 8 3/4 x 4 (Letterhead)	25	1050	R88	12 x 10 x 8	25	1050
TW84	11 1/4 x 8 3/4 x 4 (Letterhead)	25	1050	TW88	12 x 10 x 8	25	1050
R318	11 1/4 x 8 3/4 x 4 3/4 (Letterhead)	25	1050	R706	12 x 10 x 9	25	500
TW318	11 1/4 x 8 3/4 x 4 3/4 (Letterhead)	25	1050	TW706	12 x 10 x 9	25	500
R52	11 1/4 x 8 3/4 x 6 (Letterhead)	25	1050	R187	12 x 10 x 10	25	500
TW52	11 1/4 x 8 3/4 x 6 (Letterhead)	25	1050	TW187	12 x 10 x 10	25	500
R132	11 1/4 x 8 3/4 x 8 (Letterhead)	25	1050	R368	12 x 11 x 4	25	700
TW132	11 1/4 x 8 3/4 x 8 (Letterhead)	25	1050	TW368	12 x 11 x 4	25	700
R265	11 1/4 x 8 3/4 x 10 (Letterhead)	25	1050	R369	12 x 12 x 2	25	1050
TW265	11 1/4 x 8 3/4 x 10 (Letterhead)	25	1050	TW369	12 x 12 x 2	25	1050
TW357	11 1/4 x 8 3/4 x 11 (Letterhead)	25	700	R189	12 x 12 x 3	25	700
R294	11 1/4 x 8 3/4 x 12 (Letterhead)	25	500	TW189	12 x 12 x 3	25	700
R360	11 1/4 x 8 3/4 x 12 (x-scores 6"-8"-10")	25	500	R58	12 x 12 x 4	25	700
TW294	11 1/4 x 8 3/4 x 12 (Letterhead)	25	500	TW58	12 x 12 x 4	25	700
TW360	11 1/4 x 8 3/4 x 12 (x-scores 6"-8"-10")	25	500	R156	12 x 12 x 5	25	700
R698	11 1/4 x 8 3/4 x 14 1/4 (Letterhead)	25	500	TW156	12 x 12 x 5	25	700
TW698	11 1/4 x 8 3/4 x 14 1/4 (Letterhead)	25	500	R19	12 x 12 x 6	25	500
TW363	11 1/4 x 10 1/8 x 10 1/4	25	500	TW19	12 x 12 x 6	25	500
R856	11 1/2 x 9 1/2 x 6 (x-score 4")	25	1050	R685	12 x 12 x 7	25	500
TW85	11 5/8 x 7 x 6 5/16	25	1050	TW685	12 x 12 x 7	25	500
R731	11 3/4 x 9 1/4 x 5 1/4	25	1050	R89	12 x 12 x 8	25	500
R319	11 3/4 x 9 1/4 x 7 1/8	25	1050	TW89	12 x 12 x 8	25	500
TW319	11 3/4 x 9 1/4 x 7 1/8	25	1050	R86	12 x 12 x 9	25	500
R63	12 x 4 x 4	25	2625	TW86	12 x 12 x 9	25	500
TW63	12 x 4 x 4	25	2625	R90	12 x 12 x 10	25	500
R151	12 x 5 x 4	25	2100	TW90	12 x 12 x 10	25	500
TW151	12 x 5 x 4	25	2100	R302	12 x 12 x 11	25	500
R56	12 x 6 x 4	25	2100	TW302	12 x 12 x 11	25	500
TW56	12 x 6 x 4	25	2100	R20	12 x 12 x 12	25	500
R365	12 x 6 x 5	25	1750	TW20	12 x 12 x 12	25	500
TW365	12 x 6 x 5	25	1750	R733	12 x 12 x 12 (275#)	25	500
R64	12 x 6 x 6	25	1575	R678	12 x 12 x 12 (275# D/W)	15	300
TW64	12 x 6 x 6	25	1575	TW678	12 x 12 x 12 (275# D/W)	15	300
R697	12 x 7 x 5	25	1400	R268	12 x 12 x 15	25	500
TW697	12 x 7 x 5	25	1400	TW268	12 x 12 x 15	25	500
R836	12 x 7 x 7	25	700	R157	12 x 12 x 17 1/2	25	500
R98	12 x 8 x 4	25	1400	TW157	12 x 12 x 17 1/2	25	500
TW98	12 x 8 x 4	25	1400	R370	12 x 12 x 20	20	240
R75	12 x 8 x 6	25	1050	TW370	12 x 12 x 20	20	240
TW75	12 x 8 x 6	25	1050	R735	12 x 12 x 24	25	250
R79	12 x 8 x 8	25	1050	R371	12 x 12 x 25	20	240
TW79	12 x 8 x 8	25	1050	TW371	12 x 12 x 25	20	240
R366	12 x 8 3/4 x 10 1/4	25	700	R160	12 x 12 x 30	20	240
TW366	12 x 8 3/4 x 10 1/4	25	700	TW160	12 x 12 x 30	20	240
R133	12 x 9 x 3	25	1400	R736	12 x 12 x 36	15	270
TW133	12 x 9 x 3	25	1400	R372	12 x 12 x 40	15	270
R307	12 x 9 x 4	25	1400	TW372	12 x 12 x 40	15	270
TW307	12 x 9 x 4	25	1400	R373	12 x 12 x 48	15	270
TW347	12 x 9 x 5	25	1050	TW373	12 x 12 x 48	15	270
R143	12 x 9 x 6	25	1050	R737	12 x 12 x 56	10	260
TW143	12 x 9 x 6	25	1050	R65	12 1/4 x 9 1/8 x 5 7/8	25	1050
R134	12 x 9 x 7	25	1050	TW65	12 1/4 x 9 1/8 x 5 7/8	25	1050
TW134	12 x 9 x 7	25	1050	R374	12 1/4 x 9 1/4 x 6 1/4	25	1050
R135	12 x 9 x 9	25	1050	TW374	12 1/4 x 9 1/4 x 6 1/4	25	1050
TW135	12 x 9 x 9	25	1050	R699	12 1/4 x 9 1/4 x 9	25	700
R721	12 x 9 x 10	25	700	TW699	12 1/4 x 9 1/4 x 9	25	700
R183	12 x 9 1/2 x 4	25	1050	R375	12 1/4 x 9 1/4 x 12 1/2	25	500
TW183	12 x 9 1/2 x 4	25	1050	TW375	12 1/4 x 9 1/4 x 12 1/2	25	500

Stock No.	Inside Dimensions L x W x D	No. Per Bundle	No. Per Pallet	Stock No.	Inside Dimensions L x W x D	No. Per Bundle	No. Per Pallet
R172	12 <sup>1</sup> / <sub>4</sub> x 9 <sup>1</sup> / <sub>4</sub> x 15	25	500	TW26	13 <sup>3</sup> / <sub>4</sub> x 10 <sup>1</sup> / <sub>4</sub> x 9	25	500
TW172	12 <sup>1</sup> / <sub>4</sub> x 9 <sup>1</sup> / <sub>4</sub> x 15	25	500	R164	13 <sup>7</sup> / <sub>8</sub> x 11 <sup>1</sup> / <sub>4</sub> x 10 <sup>1</sup> / <sub>4</sub>	25	500
R21	12 <sup>1</sup> / <sub>4</sub> x 10 <sup>1</sup> / <sub>2</sub> x 8	25	500	TW164	13 <sup>7</sup> / <sub>8</sub> x 11 <sup>1</sup> / <sub>4</sub> x 10 <sup>1</sup> / <sub>4</sub>	25	500
TW21	12 <sup>1</sup> / <sub>4</sub> x 10 <sup>1</sup> / <sub>2</sub> x 8	25	500	R28	13 <sup>15</sup> / <sub>16</sub> x 9 <sup>9</sup> / <sub>16</sub> x 7 <sup>1</sup> / <sub>2</sub>	25	1050
R739	12 <sup>1</sup> / <sub>4</sub> x 11 x 7 <sup>9</sup> / <sub>16</sub>	25	500	TW28	13 <sup>15</sup> / <sub>16</sub> x 9 <sup>9</sup> / <sub>16</sub> x 7 <sup>1</sup> / <sub>2</sub>	25	1050
R740	12 <sup>1</sup> / <sub>4</sub> x 11 x 10 <sup>3</sup> / <sub>8</sub>	25	500	R191	14 x 6 x 4	25	1750
R863	12 <sup>1</sup> / <sub>4</sub> x 12 <sup>1</sup> / <sub>4</sub> x 12 (x-scores 10")	25	500	TW191	14 x 6 x 4	25	1750
R175	12 <sup>3</sup> / <sub>8</sub> x 12 <sup>3</sup> / <sub>8</sub> x 4 <sup>1</sup> / <sub>2</sub>	25	500	R136	14 x 6 x 6	25	1400
TW175	12 <sup>3</sup> / <sub>8</sub> x 12 <sup>3</sup> / <sub>8</sub> x 4 <sup>1</sup> / <sub>2</sub>	25	500	TW136	14 x 6 x 6	25	1400
R741	12 <sup>3</sup> / <sub>8</sub> x 12 <sup>3</sup> / <sub>8</sub> x 6 <sup>1</sup> / <sub>2</sub>	25	500	R192	14 x 7 x 7	25	1050
R376	12 <sup>1</sup> / <sub>2</sub> x 7 x 7	25	1050	TW192	14 x 7 x 7	25	1050
TW376	12 <sup>1</sup> / <sub>2</sub> x 7 x 7	25	1050	R49	14 x 8 x 6	25	1050
R742	12 <sup>1</sup> / <sub>2</sub> x 9 <sup>5</sup> / <sub>8</sub> x 9	25	700	TW49	14 x 8 x 6	25	1050
R811	12 <sup>1</sup> / <sub>2</sub> x 12 <sup>1</sup> / <sub>2</sub> x 4	25	700	R193	14 x 8 x 8	25	1050
R378	12 <sup>1</sup> / <sub>2</sub> x 12 <sup>1</sup> / <sub>2</sub> x 8 (Record Size)	25	500	TW193	14 x 8 x 8	25	1050
TW378	12 <sup>1</sup> / <sub>2</sub> x 12 <sup>1</sup> / <sub>2</sub> x 8 (Record Size)	25	500	R194	14 x 9 x 9	25	500
R379	12 <sup>1</sup> / <sub>2</sub> x 12 <sup>1</sup> / <sub>2</sub> x 10 <sup>1</sup> / <sub>2</sub> (Record Size)	25	500	TW194	14 x 9 x 9	25	500
TW379	12 <sup>1</sup> / <sub>2</sub> x 12 <sup>1</sup> / <sub>2</sub> x 10 <sup>1</sup> / <sub>2</sub> (Record Size)	25	500	R29	14 x 10 x 4	25	1050
TW115	12 <sup>3</sup> / <sub>4</sub> x 6 <sup>3</sup> / <sub>8</sub> x 13 <sup>1</sup> / <sub>2</sub> (TW6, 4 Pack Master)	25	700	TW29	14 x 10 x 4	25	1050
R22	12 <sup>3</sup> / <sub>4</sub> x 9 <sup>9</sup> / <sub>16</sub> x 8 <sup>1</sup> / <sub>16</sub>	25	700	R91	14 x 10 x 6	25	1050
TW22	12 <sup>3</sup> / <sub>4</sub> x 9 <sup>9</sup> / <sub>16</sub> x 8 <sup>1</sup> / <sub>16</sub>	25	700	TW91	14 x 10 x 6	25	1050
R67	12 <sup>3</sup> / <sub>4</sub> x 12 <sup>3</sup> / <sub>4</sub> x 13 <sup>1</sup> / <sub>2</sub> (R6, 8 Pack Master)	25	500	R195	14 x 10 x 8	25	750
TW67	12 <sup>3</sup> / <sub>4</sub> x 12 <sup>3</sup> / <sub>4</sub> x 13 <sup>1</sup> / <sub>2</sub> (TW6, 8 Pack Master)	25	500	TW195	14 x 10 x 8	25	750
R298	12 <sup>7</sup> / <sub>8</sub> x 8 <sup>9</sup> / <sub>16</sub> x 5	25	1050	R27	14 x 10 x 10	25	500
TW298	12 <sup>7</sup> / <sub>8</sub> x 8 <sup>9</sup> / <sub>16</sub> x 5	25	1050	TW27	14 x 10 x 10	25	500
TW23	12 <sup>15</sup> / <sub>16</sub> x 8 <sup>1</sup> / <sub>16</sub> x 6 <sup>7</sup> / <sub>8</sub>	25	1050	R390	14 x 10 x 12	25	500
TW295	13 x 8 x 8	25	1050	TW390	14 x 10 x 12	25	500
R743	13 x 8 <sup>5</sup> / <sub>8</sub> x 8	25	1050	R196	14 x 11 x 3	25	1050
R320	13 x 8 <sup>5</sup> / <sub>8</sub> x 9 <sup>7</sup> / <sub>8</sub>	25	700	TW196	14 x 11 x 3	25	1050
TW320	13 x 8 <sup>5</sup> / <sub>8</sub> x 9 <sup>7</sup> / <sub>8</sub>	25	700	R165	14 x 12 x 4	25	500
R813	13 x 9 x 3 <sup>3</sup> / <sub>4</sub>	25	1050	TW165	14 x 12 x 4	25	500
R744	13 x 9 x 4 <sup>3</sup> / <sub>4</sub>	25	1050	R30	14 x 12 x 6	25	500
R381	13 x 9 x 5 <sup>1</sup> / <sub>2</sub>	25	1050	TW30	14 x 12 x 6	25	500
TW381	13 x 9 x 5 <sup>1</sup> / <sub>2</sub>	25	1050	R746	14 x 12 x 8 <sup>1</sup> / <sub>2</sub> (x-scores 2 <sup>1</sup> / <sub>2</sub> ", 4 <sup>1</sup> / <sub>2</sub> ", 6 <sup>1</sup> / <sub>2</sub> ")	25	500
R382	13 x 9 x 7	25	1050	R166	14 x 12 x 9 <sup>1</sup> / <sub>8</sub>	25	500
TW382	13 x 9 x 7	25	1050	TW166	14 x 12 x 9 <sup>1</sup> / <sub>8</sub>	25	500
R383	13 x 9 x 8 <sup>1</sup> / <sub>2</sub>	25	700	R391	14 x 12 x 12	25	500
TW383	13 x 9 x 8 <sup>1</sup> / <sub>2</sub>	25	700	TW391	14 x 12 x 12	25	500
R384	13 x 9 x 11	25	500	TW651	14 x 12 x 46 (Golf Club)	15	270
TW384	13 x 9 x 11	25	500	R1042	14 x 14 x 4	25	500
TW113	13 x 10 x 2	25	1050	R392	14 x 14 x 5	25	500
R161	13 x 10 x 4	25	1050	TW392	14 x 14 x 5	25	500
TW161	13 x 10 x 4	25	1050	R92	14 x 14 x 6	25	500
R385	13 x 10 <sup>1</sup> / <sub>4</sub> x 10	25	500	TW92	14 x 14 x 6	25	500
TW385	13 x 10 <sup>1</sup> / <sub>4</sub> x 10	25	500	R198	14 x 14 x 7	25	500
R707	13 x 11 x 5	25	700	TW198	14 x 14 x 7	25	500
TW707	13 x 11 x 5	25	700	R138	14 x 14 x 8	25	500
R838	13 x 11 x 9	25	500	TW138	14 x 14 x 8	25	500
R386	13 x 13 x 4 <sup>1</sup> / <sub>2</sub>	25	500	R308	14 x 14 x 9	25	500
TW386	13 x 13 x 4 <sup>1</sup> / <sub>2</sub>	25	500	TW308	14 x 14 x 9	25	500
R592	13 x 13 x 7 <sup>1</sup> / <sub>2</sub>	25	500	R50	14 x 14 x 10	25	500
TW592	13 x 13 x 7 <sup>1</sup> / <sub>2</sub>	25	500	TW50	14 x 14 x 10	25	500
R76	13 x 13 x 10	25	500	R105	14 x 14 x 12	25	500
TW76	13 x 13 x 10	25	500	TW105	14 x 14 x 12	25	500
R269	13 x 13 x 13	25	500	R31	14 x 14 x 14	25	500
TW269	13 x 13 x 13	25	500	TW31	14 x 14 x 14	25	500
R186	13 <sup>3</sup> / <sub>8</sub> x 13 <sup>3</sup> / <sub>8</sub> x 12	25	500	R747	14 x 14 x 14 (275#)	20	480
TW186	13 <sup>3</sup> / <sub>8</sub> x 13 <sup>3</sup> / <sub>8</sub> x 12	25	500	R1006	14 x 14 x 14 (275# D/W)	15	150
TW388	13 <sup>1</sup> / <sub>2</sub> x 7 <sup>1</sup> / <sub>2</sub> x 13 <sup>1</sup> / <sub>2</sub>	25	500	R173	14 x 14 x 18	20	240
R389	13 <sup>1</sup> / <sub>2</sub> x 8 <sup>1</sup> / <sub>2</sub> x 10 <sup>1</sup> / <sub>2</sub>	25	500	TW173	14 x 14 x 18	20	240
TW389	13 <sup>1</sup> / <sub>2</sub> x 8 <sup>1</sup> / <sub>2</sub> x 10 <sup>1</sup> / <sub>2</sub>	25	500	TW686	14 x 14 x 20	20	240
R745	13 <sup>1</sup> / <sub>2</sub> x 9 <sup>1</sup> / <sub>4</sub> x 5 <sup>7</sup> / <sub>8</sub>	25	1050	R393	14 x 14 x 24	20	240
R24	13 <sup>1</sup> / <sub>2</sub> x 12 <sup>1</sup> / <sub>2</sub> x 10 <sup>1</sup> / <sub>4</sub>	25	500	TW393	14 x 14 x 24	20	240
TW24	13 <sup>1</sup> / <sub>2</sub> x 12 <sup>1</sup> / <sub>2</sub> x 10 <sup>1</sup> / <sub>4</sub>	25	500	R748	14 x 14 x 30	20	240
R25	13 <sup>1</sup> / <sub>2</sub> x 13 <sup>1</sup> / <sub>2</sub> x 7 <sup>1</sup> / <sub>2</sub>	25	500	R749	14 x 14 x 36	15	270
TW25	13 <sup>1</sup> / <sub>2</sub> x 13 <sup>1</sup> / <sub>2</sub> x 7 <sup>1</sup> / <sub>2</sub>	25	500	TW687	14 <sup>1</sup> / <sub>8</sub> x 8 <sup>5</sup> / <sub>8</sub> x 4	25	1050
R1030	13 <sup>5</sup> / <sub>8</sub> x 6 <sup>3</sup> / <sub>4</sub> x 7 <sup>3</sup> / <sub>4</sub>	25	1050	TW688	14 <sup>1</sup> / <sub>8</sub> x 8 <sup>5</sup> / <sub>8</sub> x 10	25	500
R290	13 <sup>5</sup> / <sub>8</sub> x 7 x 7 <sup>5</sup> / <sub>8</sub>	25	1050	R750	14 <sup>1</sup> / <sub>8</sub> x 8 <sup>5</sup> / <sub>8</sub> x 12 (x-scores 6", 8", 10")	25	500
TW290	13 <sup>5</sup> / <sub>8</sub> x 7 x 7 <sup>5</sup> / <sub>8</sub>	25	1050	TW689	14 <sup>1</sup> / <sub>8</sub> x 8 <sup>5</sup> / <sub>8</sub> x 12	25	500
R26	13 <sup>3</sup> / <sub>4</sub> x 10 <sup>1</sup> / <sub>4</sub> x 9	25	500	R394	14 <sup>1</sup> / <sub>8</sub> x 11 <sup>3</sup> / <sub>4</sub> x 6 <sup>5</sup> / <sub>16</sub>	25	500

Stock No.	Inside Dimensions L x W x D	No. Per Bundle	No. Per Pallet	Stock No.	Inside Dimensions L x W x D	No. Per Bundle	No. Per Pallet	
TW394	14 <sup>1</sup> / <sub>8</sub> x 11 <sup>3</sup> / <sub>4</sub> x 6 <sup>5</sup> / <sub>16</sub>	25	500	R203	16 x 7 x 7	25	750	
R395	14 <sup>1</sup> / <sub>2</sub> x 9 <sup>1</sup> / <sub>2</sub> x 12	25	500	TW203	16 x 7 x 7	25	750	
TW395	14 <sup>1</sup> / <sub>2</sub> x 9 <sup>1</sup> / <sub>2</sub> x 12	25	500	R832	16 x 8 x 4	25	750	
R751	14 <sup>1</sup> / <sub>2</sub> x 10 x 9	25	500	R514	16 x 8 x 6	25	750	
TW174	14 <sup>1</sup> / <sub>2</sub> x 13 x 4 <sup>1</sup> / <sub>2</sub>	25	500	TW514	16 x 8 x 6	25	750	
R752	14 <sup>3</sup> / <sub>4</sub> x 12 <sup>1</sup> / <sub>4</sub> x 5 <sup>7</sup> / <sub>8</sub>	25	500	R93	16 x 8 x 8	25	500	
R753	14 <sup>3</sup> / <sub>4</sub> x 12 <sup>1</sup> / <sub>4</sub> x 10 <sup>3</sup> / <sub>8</sub>	25	500	TW93	16 x 8 x 8	25	500	
R199	15 x 7 x 5	25	1400	R312	16 x 9 x 3	25	1000	
TW199	15 x 7 x 5	25	1400	TW312	16 x 9 x 3	25	1000	
R106	15 x 8 x 7	25	1050	R204	16 x 10 x 6	25	750	
TW106	15 x 8 x 7	25	1050	TW204	16 x 10 x 6	25	750	
R396	15 x 9 x 8	25	700	R205	16 x 10 x 8	25	500	
TW396	15 x 9 x 8	25	700	TW205	16 x 10 x 8	25	500	
R397	15 x 9 <sup>1</sup> / <sub>4</sub> x 6	25	1050	R94	16 x 10 x 10	25	500	
TW397	15 x 9 <sup>1</sup> / <sub>4</sub> x 6	25	1050	TW94	16 x 10 x 10	25	500	
R757	15 x 9 <sup>3</sup> / <sub>4</sub> x 6 <sup>1</sup> / <sub>4</sub>	25	700	TW515	16 x 11 x 9	25	500	
R754	15 x 9 <sup>3</sup> / <sub>4</sub> x 8 <sup>1</sup> / <sub>2</sub>	25	500	R180	16 x 11 x 10	25	500	
R755	15 x 9 <sup>3</sup> / <sub>4</sub> x 11 <sup>5</sup> / <sub>8</sub>	25	500	TW180	16 x 11 x 10	25	500	
R122	15 x 10 x 5	25	700	R516	16 x 12 x 4	25	500	
TW122	15 x 10 x 5	25	700	TW516	16 x 12 x 4	25	500	
R756	15 x 10 x 14	25	500	R517	16 x 12 x 6	25	500	
R200	15 x 11 x 7	25	500	TW517	16 x 12 x 6	25	500	
TW200	15 x 11 x 7	25	500	R518	16 x 12 x 8	25	500	
R839	15 x 11 x 11	25	500	TW518	16 x 12 x 8	25	500	
R287	15 x 12 x 4	25	750	R519	16 x 12 x 10	25	500	
TW287	15 x 12 x 4	25	750	TW519	16 x 12 x 10	25	500	
R275	15 x 12 x 8	25	500	R206	16 x 12 x 12	25	500	
TW275	15 x 12 x 8	25	500	TW206	16 x 12 x 12	25	500	
R278	15 x 12 x 10	25	500	R873	16 x 12 x 12	(275# DW)	15	300
TW278	15 x 12 x 10	25	500	R121	16 x 12 <sup>3</sup> / <sub>4</sub> x 12 <sup>3</sup> / <sub>4</sub>	(1.5 Cu. Ft.)	25	500
R398	15 x 12 x 12	25	500	TW121	16 x 12 <sup>3</sup> / <sub>4</sub> x 12 <sup>3</sup> / <sub>4</sub>	(1.5 Cu. Ft.)	25	500
TW398	15 x 12 x 12	25	500	R520	16 x 14 x 4	25	500	
R1052	15 x 13 x 7	25	500	TW520	16 x 14 x 4	25	500	
R758	15 x 15 x 4	25	500	R1038	16 x 14 x 5	25	500	
R305	15 x 15 x 5	25	500	R33	16 x 14 x 6	25	500	
TW305	15 x 15 x 5	25	500	TW33	16 x 14 x 6	25	500	
R501	15 x 15 x 6	25	375	R708	16 x 14 x 8	25	250	
TW501	15 x 15 x 6	25	375	TW708	16 x 14 x 8	25	250	
R32	15 x 15 x 10	25	250	R709	16 x 14 x 10	25	250	
TW32	15 x 15 x 10	25	250	TW709	16 x 14 x 10	25	250	
R176	15 x 15 x 12	25	250	R522	16 x 14 x 12	20	240	
TW176	15 x 15 x 12	25	250	TW522	16 x 14 x 12	20	240	
R139	15 x 15 x 15	20	240	R223	16 x 16 x 4	25	500	
TW139	15 x 15 x 15	20	240	TW223	16 x 16 x 4	25	500	
TW677	15 x 15 x 15	(275# D/W)	10	160	R207	16 x 16 x 6	25	500
R107	15 x 15 x 20	20	240	TW207	16 x 16 x 6	25	500	
TW107	15 x 15 x 20	20	240	R208	16 x 16 x 8	25	250	
R502	15 x 15 x 30	15	135	TW208	16 x 16 x 8	25	250	
TW502	15 x 15 x 30	15	135	R362	16 x 16 x 9	20	240	
R759	15 x 15 x 36	15	135	R80	16 x 16 x 10	20	240	
R760	15 x 15 x 40	15	135	TW80	16 x 16 x 10	20	240	
*R761	15 x 15 x 56	10	130	R1020	16 x 16 x 11	20	240	
R506	15 <sup>1</sup> / <sub>8</sub> x 8 <sup>3</sup> / <sub>4</sub> x 10 <sup>1</sup> / <sub>4</sub>	25	500	R209	16 x 16 x 12	20	240	
TW506	15 <sup>1</sup> / <sub>8</sub> x 8 <sup>3</sup> / <sub>4</sub> x 10 <sup>1</sup> / <sub>4</sub>	25	500	TW209	16 x 16 x 12	20	240	
R509	15 <sup>1</sup> / <sub>8</sub> x 11 <sup>1</sup> / <sub>4</sub> x 10 <sup>1</sup> / <sub>4</sub>	25	500	R34	16 x 16 x 16	20	240	
TW509	15 <sup>1</sup> / <sub>8</sub> x 11 <sup>1</sup> / <sub>4</sub> x 10 <sup>1</sup> / <sub>4</sub>	25	500	TW34	16 x 16 x 16	20	240	
R861	15 <sup>1</sup> / <sub>4</sub> x 10 <sup>1</sup> / <sub>8</sub> x 9 <sup>5</sup> / <sub>8</sub> (x-score at 7 <sup>5</sup> / <sub>8</sub> " )	25	500	R765	16 x 16 x 16	(275#)	15	270
R510	15 <sup>1</sup> / <sub>2</sub> x 14 <sup>1</sup> / <sub>2</sub> x 10 <sup>1</sup> / <sub>2</sub>	20	240	R670	16 x 16 x 16	(275# D/W)	10	160
TW510	15 <sup>1</sup> / <sub>2</sub> x 14 <sup>1</sup> / <sub>2</sub> x 10 <sup>1</sup> / <sub>2</sub>	20	240	TW670	16 x 16 x 16	(275# D/W)	10	160
R511	15 <sup>3</sup> / <sub>4</sub> x 10 <sup>3</sup> / <sub>4</sub> x 6 <sup>3</sup> / <sub>8</sub>	25	500	R523	16 x 16 x 19	15	270	
TW511	15 <sup>3</sup> / <sub>4</sub> x 10 <sup>3</sup> / <sub>4</sub> x 6 <sup>3</sup> / <sub>8</sub>	25	500	TW523	16 x 16 x 19	15	270	
R762	15 <sup>3</sup> / <sub>4</sub> x 10 <sup>3</sup> / <sub>4</sub> x 9 <sup>1</sup> / <sub>2</sub>	25	500	R377	16 x 16 x 26	15	135	
R512	15 <sup>3</sup> / <sub>4</sub> x 10 <sup>3</sup> / <sub>4</sub> x 12 <sup>5</sup> / <sub>8</sub>	25	500	R766	16 x 16 x 34	15	135	
TW512	15 <sup>3</sup> / <sub>4</sub> x 10 <sup>3</sup> / <sub>4</sub> x 12 <sup>5</sup> / <sub>8</sub>	25	500	R313	16 x 16 x 36	10	130	
R763	15 <sup>3</sup> / <sub>4</sub> x 10 <sup>3</sup> / <sub>4</sub> x 15 <sup>5</sup> / <sub>8</sub>	25	500	TW313	16 x 16 x 36	10	130	
R202	16 x 5 x 5	25	1400	R767	16 <sup>1</sup> / <sub>8</sub> x 10 <sup>3</sup> / <sub>4</sub> x 8	25	500	
TW202	16 x 5 x 5	25	1400	R35	16 <sup>1</sup> / <sub>8</sub> x 12 <sup>1</sup> / <sub>16</sub> x 9 <sup>1</sup> / <sub>4</sub>	25	500	
R764	16 x 6 x 4	25	1000	R524	16 <sup>1</sup> / <sub>4</sub> x 12 <sup>1</sup> / <sub>4</sub> x 11 <sup>3</sup> / <sub>16</sub>	25	500	
R513	16 x 6 x 6	25	1000	TW524	16 <sup>1</sup> / <sub>4</sub> x 12 <sup>1</sup> / <sub>4</sub> x 11 <sup>3</sup> / <sub>16</sub>	25	500	
TW513	16 x 6 x 6	25	1000	TW310	16 <sup>1</sup> / <sub>2</sub> x 9 x 9	25	500	

\*Exceeds U.S. Postal Service 108" max.

Stock No.	Inside Dimensions L x W x D	No. Per Bundle	No. Per Pallet	Stock No.	Inside Dimensions L x W x D	No. Per Bundle	No. Per Pallet
R36	16 <sup>1</sup> / <sub>2</sub> x 10 <sup>7</sup> / <sub>8</sub> x 7 <sup>3</sup> / <sub>4</sub>	25	500	R190	18 x 12 x 6	25	500
TW36	16 <sup>1</sup> / <sub>2</sub> x 10 <sup>7</sup> / <sub>8</sub> x 7 <sup>3</sup> / <sub>4</sub>	25	500	TW190	18 x 12 x 6	25	500
R525	16 <sup>5</sup> / <sub>8</sub> x 14 <sup>1</sup> / <sub>4</sub> x 12 <sup>1</sup> / <sub>8</sub>	20	240	R213	18 x 12 x 8	25	500
TW525	16 <sup>5</sup> / <sub>8</sub> x 14 <sup>1</sup> / <sub>4</sub> x 12 <sup>1</sup> / <sub>8</sub>	20	240	TW213	18 x 12 x 8	25	500
TW526	16 <sup>5</sup> / <sub>8</sub> x 14 <sup>1</sup> / <sub>4</sub> x 24	15	270	R536	18 x 12 x 9	25	500
TW114	16 <sup>3</sup> / <sub>4</sub> x 8 <sup>3</sup> / <sub>8</sub> x 17 <sup>1</sup> / <sub>2</sub> (TW11, 4 Pack Master)	25	500	TW536	18 x 12 x 9	25	500
R875	16 <sup>3</sup> / <sub>4</sub> x 12 <sup>1</sup> / <sub>2</sub> x 12 <sup>1</sup> / <sub>2</sub>	25	500	R537	18 x 12 x 10	25	500
R1	16 <sup>3</sup> / <sub>4</sub> x 16 <sup>3</sup> / <sub>4</sub> x 17 <sup>1</sup> / <sub>2</sub> (R11, 8 Pack Master)	15	270	TW537	18 x 12 x 10	25	500
TW1	16 <sup>3</sup> / <sub>4</sub> x 16 <sup>3</sup> / <sub>4</sub> x 17 <sup>1</sup> / <sub>2</sub> (TW11, 8 Pack Master)	15	270	R270	18 x 12 x 12	25	500
R769	17 x 7 x 7	25	750	TW270	18 x 12 x 12	25	500
R527	17 x 9 x 9	25	500	R775	18 x 12 x 12 (275#)	20	240
TW527	17 x 9 x 9	25	500	R1005	18 x 12 x 12 (275# D/W)	15	150
R692	17 x 10 x 6	25	500	TW279	18 x 12 <sup>3</sup> / <sub>4</sub> x 10	25	500
TW692	17 x 10 x 6	25	500	TW538	18 x 13 x 11	25	250
TW693	17 x 10 x 7	25	500	R37	18 x 13 x 12	25	250
R770	17 x 11 x 2 <sup>5</sup> / <sub>8</sub>	25	500	TW37	18 x 13 x 12	25	250
R684	17 x 14 x 5	25	500	R539	18 x 14 x 4	25	500
TW684	17 x 14 x 5	25	500	TW539	18 x 14 x 4	25	500
R528	17 x 14 x 9	20	240	R540	18 x 14 x 6	25	375
TW528	17 x 14 x 9	20	240	TW540	18 x 14 x 6	25	375
R771	17 x 15 x 8 <sup>1</sup> / <sub>2</sub> (x-scores 2 <sup>1</sup> / <sub>2</sub> ", 4 <sup>1</sup> / <sub>2</sub> ", 6 <sup>1</sup> / <sub>2</sub> "	25	250	R541	18 x 14 x 8	25	250
R272	17 x 17 x 17	15	270	TW541	18 x 14 x 8	25	250
TW272	17 x 17 x 17	15	270	R542	18 x 14 x 10	25	250
R772	17 <sup>1</sup> / <sub>8</sub> x 11 <sup>7</sup> / <sub>8</sub> x 10	25	500	TW542	18 x 14 x 10	25	250
R1001	17 <sup>1</sup> / <sub>4</sub> x 11 <sup>1</sup> / <sub>8</sub> x 8 <sup>3</sup> / <sub>4</sub> (Letterhead)	25	500	R543	18 x 14 x 12	25	250
R1029	17 <sup>1</sup> / <sub>4</sub> x 11 <sup>1</sup> / <sub>4</sub> x 10 <sup>1</sup> / <sub>4</sub> (Letterhead)	25	500	TW543	18 x 14 x 12	25	250
R860	17 <sup>1</sup> / <sub>4</sub> x 12 <sup>3</sup> / <sub>4</sub> x 5 <sup>7</sup> / <sub>8</sub>	25	500	R1011	18 x 14 x 12 (275# D/W)	15	150
R71	17 <sup>1</sup> / <sub>4</sub> x 13 x 4 <sup>7</sup> / <sub>8</sub>	25	500	R778	18 x 14 <sup>3</sup> / <sub>4</sub> x 7 <sup>9</sup> / <sub>16</sub> (275#)	20	240
TW71	17 <sup>1</sup> / <sub>4</sub> x 13 x 4 <sup>7</sup> / <sub>8</sub>	25	500	R779	18 x 14 <sup>3</sup> / <sub>4</sub> x 15 <sup>7</sup> / <sub>8</sub> (275#)	15	270
R1004	17 <sup>1</sup> / <sub>4</sub> x 14 <sup>1</sup> / <sub>4</sub> x 10 <sup>3</sup> / <sub>4</sub> (Letterhead)	25	250	R544	18 x 16 x 4	20	360
R1010	17 <sup>1</sup> / <sub>4</sub> x 14 <sup>1</sup> / <sub>4</sub> x 12 <sup>1</sup> / <sub>2</sub> (Letterhead)	25	250	TW544	18 x 16 x 4	20	360
R529	17 <sup>1</sup> / <sub>4</sub> x 17 <sup>1</sup> / <sub>4</sub> x 8	20	240	R545	18 x 16 x 6	20	240
TW529	17 <sup>1</sup> / <sub>4</sub> x 17 <sup>1</sup> / <sub>4</sub> x 8	20	240	TW545	18 x 16 x 6	20	240
R233	17 <sup>1</sup> / <sub>4</sub> x 17 <sup>1</sup> / <sub>4</sub> x 11	15	270	R710	18 x 16 x 8	20	240
TW233	17 <sup>1</sup> / <sub>4</sub> x 17 <sup>1</sup> / <sub>4</sub> x 11	15	270	TW710	18 x 16 x 8	20	240
R531	17 <sup>1</sup> / <sub>4</sub> x 17 <sup>1</sup> / <sub>4</sub> x 14 <sup>1</sup> / <sub>2</sub>	15	270	R546	18 x 16 x 10	20	240
TW531	17 <sup>1</sup> / <sub>4</sub> x 17 <sup>1</sup> / <sub>4</sub> x 14 <sup>1</sup> / <sub>2</sub>	15	270	TW546	18 x 16 x 10	20	240
R1003	17 <sup>1</sup> / <sub>2</sub> x 11 <sup>1</sup> / <sub>4</sub> x 11 <sup>1</sup> / <sub>4</sub> (Letterhead)	25	500	R291	18 x 16 x 12	15	270
R273	17 <sup>1</sup> / <sub>2</sub> x 11 <sup>1</sup> / <sub>2</sub> x 8 <sup>3</sup> / <sub>4</sub> (Letterhead)	25	500	TW291	18 x 16 x 12	15	270
TW273	17 <sup>1</sup> / <sub>2</sub> x 11 <sup>1</sup> / <sub>2</sub> x 8 <sup>3</sup> / <sub>4</sub> (Letterhead)	25	500	R214	18 x 18 x 4	25	250
TW691	17 <sup>1</sup> / <sub>2</sub> x 11 <sup>1</sup> / <sub>2</sub> x 9 <sup>1</sup> / <sub>2</sub> (Letterhead)	25	500	TW214	18 x 18 x 4	25	250
R773	17 <sup>1</sup> / <sub>2</sub> x 11 <sup>1</sup> / <sub>2</sub> x 10 <sup>1</sup> / <sub>4</sub> (Letterhead)	25	500	R140	18 x 18 x 6	25	250
R532	17 <sup>1</sup> / <sub>2</sub> x 11 <sup>1</sup> / <sub>2</sub> x 10 <sup>3</sup> / <sub>4</sub> (Letterhead)	25	500	TW140	18 x 18 x 6	25	250
TW532	17 <sup>1</sup> / <sub>2</sub> x 11 <sup>1</sup> / <sub>2</sub> x 10 <sup>3</sup> / <sub>4</sub> (Letterhead)	25	500	R111	18 x 18 x 8	20	240
R387	17 <sup>1</sup> / <sub>2</sub> x 11 <sup>1</sup> / <sub>2</sub> x 11	25	500	TW111	18 x 18 x 8	20	240
R70	17 <sup>1</sup> / <sub>2</sub> x 11 <sup>1</sup> / <sub>2</sub> x 11 <sup>1</sup> / <sub>2</sub> (Letterhead)	25	500	R197	18 x 18 x 10	15	270
TW70	17 <sup>1</sup> / <sub>2</sub> x 11 <sup>1</sup> / <sub>2</sub> x 11 <sup>1</sup> / <sub>2</sub> (Letterhead)	25	500	TW197	18 x 18 x 10	15	270
R774	17 <sup>1</sup> / <sub>2</sub> x 11 <sup>1</sup> / <sub>2</sub> x 11 <sup>1</sup> / <sub>2</sub> (275#) (Letterhead)	25	500	R95	18 x 18 x 12	15	270
R274	17 <sup>1</sup> / <sub>2</sub> x 11 <sup>1</sup> / <sub>2</sub> x 14 <sup>1</sup> / <sub>4</sub> (Letterhead)	25	500	TW95	18 x 18 x 12	15	270
TW274	17 <sup>1</sup> / <sub>2</sub> x 11 <sup>1</sup> / <sub>2</sub> x 14 <sup>1</sup> / <sub>4</sub> (Letterhead)	25	500	R201	18 x 18 x 15	15	270
R152	17 <sup>3</sup> / <sub>4</sub> x 11 <sup>1</sup> / <sub>2</sub> x 12 <sup>1</sup> / <sub>2</sub>	25	500	TW201	18 x 18 x 15	15	270
TW152	17 <sup>3</sup> / <sub>4</sub> x 11 <sup>1</sup> / <sub>2</sub> x 12 <sup>1</sup> / <sub>2</sub>	25	500	R296	18 x 18 x 16 (3.02 Cu. Ft.)	15	270
TW399	17 <sup>3</sup> / <sub>4</sub> x 14 <sup>1</sup> / <sub>2</sub> x 10 <sup>3</sup> / <sub>4</sub> (Letterhead)	25	250	TW296	18 x 18 x 16 (3.02 Cu. Ft.)	15	270
R1013	17 <sup>3</sup> / <sub>4</sub> x 14 <sup>1</sup> / <sub>2</sub> x 11 <sup>1</sup> / <sub>8</sub> (Letterhead)	25	250	R96	18 x 18 x 18	15	135
R188	17 <sup>3</sup> / <sub>4</sub> x 14 <sup>1</sup> / <sub>2</sub> x 12 <sup>1</sup> / <sub>2</sub> (Letterhead)	25	250	TW96	18 x 18 x 18	15	135
TW188	17 <sup>3</sup> / <sub>4</sub> x 14 <sup>1</sup> / <sub>2</sub> x 12 <sup>1</sup> / <sub>2</sub> (Letterhead)	25	250	R780	18 x 18 x 18 (275#)	10	120
R210	18 x 6 x 6	25	750	R671	18 x 18 x 18 (275# D/W)	10	80
TW210	18 x 6 x 6	25	750	TW671	18 x 18 x 18 (275# D/W)	10	80
R533	18 x 8 x 6	25	750	R711	18 x 18 x 24	15	135
TW533	18 x 8 x 6	25	750	TW711	18 x 18 x 24	15	135
R211	18 x 9 x 9	25	500	R1037	18 x 18 x 27 (275# D/W)	5	80
TW211	18 x 9 x 9	25	500	R39	18 <sup>1</sup> / <sub>4</sub> x 16 <sup>1</sup> / <sub>2</sub> x 10 <sup>3</sup> / <sub>8</sub>	20	240
R534	18 x 10 x 6	25	500	TW39	18 <sup>1</sup> / <sub>4</sub> x 16 <sup>1</sup> / <sub>2</sub> x 10 <sup>3</sup> / <sub>8</sub>	20	240
TW534	18 x 10 x 6	25	500	R38	18 <sup>5</sup> / <sub>16</sub> x 12 <sup>1</sup> / <sub>4</sub> x 9 <sup>5</sup> / <sub>16</sub>	25	500
R212	18 x 10 x 10	25	500	TW38	18 <sup>5</sup> / <sub>16</sub> x 12 <sup>1</sup> / <sub>4</sub> x 9 <sup>5</sup> / <sub>16</sub>	25	500
TW212	18 x 10 x 10	25	500	TW286	18 <sup>1</sup> / <sub>2</sub> x 11 <sup>1</sup> / <sub>2</sub> x 3	25	500
R776	18 x 11 x 5 <sup>7</sup> / <sub>8</sub> (275#)	25	500	R547	18 <sup>1</sup> / <sub>2</sub> x 18 <sup>1</sup> / <sub>2</sub> x 10 <sup>1</sup> / <sub>2</sub>	15	270
R777	18 x 11 x 10 <sup>3</sup> / <sub>8</sub> (275#)	25	500	TW547	18 <sup>1</sup> / <sub>2</sub> x 18 <sup>1</sup> / <sub>2</sub> x 10 <sup>1</sup> / <sub>2</sub>	15	270
R535	18 x 12 x 5	25	500	R81	18 <sup>1</sup> / <sub>2</sub> x 18 <sup>1</sup> / <sub>2</sub> x 12	15	270
TW535	18 x 12 x 5	25	500	TW81	18 <sup>1</sup> / <sub>2</sub> x 18 <sup>1</sup> / <sub>2</sub> x 12	15	270

Stock No.	Inside Dimensions L x W x D	No. Per Bundle	No. Per Pallet	Stock No.	Inside Dimensions L x W x D	No. Per Bundle	No. Per Pallet
R548	18 <sup>1</sup> / <sub>2</sub> x 18 <sup>1</sup> / <sub>2</sub> x 16 <sup>1</sup> / <sub>2</sub>	15	135	R118	20 x 16 x 12	20	240
TW548	18 <sup>1</sup> / <sub>2</sub> x 18 <sup>1</sup> / <sub>2</sub> x 16 <sup>1</sup> / <sub>2</sub>	15	135	TW118	20 x 16 x 12	20	240
R41	18 <sup>1</sup> / <sub>2</sub> x 18 <sup>1</sup> / <sub>2</sub> x 20 <sup>1</sup> / <sub>2</sub> (4.1 Cu. Ft.)	15	135	R562	20 x 16 x 14	20	240
TW41	18 <sup>1</sup> / <sub>2</sub> x 18 <sup>1</sup> / <sub>2</sub> x 20 <sup>1</sup> / <sub>2</sub> (4.1 Cu. Ft.)	15	135	TW562	20 x 16 x 14	20	240
R549	18 <sup>1</sup> / <sub>2</sub> x 18 <sup>1</sup> / <sub>2</sub> x 30 <sup>1</sup> / <sub>2</sub>	10	130	R885	20 x 16 x 16	20	240
TW549	18 <sup>1</sup> / <sub>2</sub> x 18 <sup>1</sup> / <sub>2</sub> x 30 <sup>1</sup> / <sub>2</sub>	10	130	R1027	20 x 16 x 22	15	135
*R781	18 <sup>1</sup> / <sub>2</sub> x 18 <sup>1</sup> / <sub>2</sub> x 36	10	130	R790	20 x 18 x 22	15	135
R40	18 <sup>5</sup> / <sub>8</sub> x 12 <sup>1</sup> / <sub>2</sub> x 7	25	500	R109	20 x 20 x 4	20	240
TW40	18 <sup>5</sup> / <sub>8</sub> x 12 <sup>1</sup> / <sub>2</sub> x 7	25	500	TW109	20 x 20 x 4	20	240
R782	18 <sup>5</sup> / <sub>8</sub> x 12 <sup>1</sup> / <sub>2</sub> x 7 <sup>1</sup> / <sub>2</sub>	25	500	R563	20 x 20 x 6	20	240
R783	18 <sup>3</sup> / <sub>4</sub> x 10 <sup>3</sup> / <sub>4</sub> x 9 <sup>1</sup> / <sub>2</sub>	25	500	TW563	20 x 20 x 6	20	240
R218	19 x 6 x 4	25	1000	R564	20 x 20 x 7	20	240
TW218	19 x 6 x 4	25	1000	TW564	20 x 20 x 7	20	240
R219	19 x 7 x 7	25	750	R712	20 x 20 x 8	15	270
TW219	19 x 7 x 7	25	750	TW712	20 x 20 x 8	15	270
R108	19 x 8 x 8	25	500	R230	20 x 20 x 10	15	270
TW108	19 x 8 x 8	25	500	TW230	20 x 20 x 10	15	270
R550	19 x 12 x 3	25	500	R1022	20 x 20 x 11	15	135
TW550	19 x 12 x 3	25	500	R566	20 x 20 x 12	15	135
R784	19 x 12 x 4	25	500	TW566	20 x 20 x 12	15	135
R551	19 x 12 <sup>1</sup> / <sub>2</sub> x 13 <sup>3</sup> / <sub>4</sub> (#6 <sup>3</sup> / <sub>4</sub> Envelope)	25	250	R1019	20 x 20 x 13	15	135
TW551	19 x 12 <sup>1</sup> / <sub>2</sub> x 13 <sup>3</sup> / <sub>4</sub> (#6 <sup>3</sup> / <sub>4</sub> Envelope)	25	250	R567	20 x 20 x 14	15	135
R785	19 x 14 x 14 <sup>3</sup> / <sub>4</sub> (x-score 12 <sup>3</sup> / <sub>4</sub> " )	25	250	TW567	20 x 20 x 14	15	135
R552	19 x 14 <sup>1</sup> / <sub>4</sub> x 12	25	250	R42	20 x 20 x 15 (3.5 Cu. Ft.)	15	135
TW552	19 x 14 <sup>1</sup> / <sub>4</sub> x 12	25	250	TW42	20 x 20 x 15 (3.5 Cu. Ft.)	15	135
R786	19 x 14 <sup>1</sup> / <sub>4</sub> x 23 <sup>7</sup> / <sub>8</sub>	15	135	R215	20 x 20 x 16	10	130
R553	19 x 15 x 6	25	375	TW215	20 x 20 x 16	10	130
TW553	19 x 15 x 6	25	375	R44	20 x 20 x 18 (4.2 Cu. Ft.)	10	130
R787	19 <sup>3</sup> / <sub>4</sub> x 14 <sup>3</sup> / <sub>4</sub> x 10 <sup>1</sup> / <sub>8</sub>	25	250	TW44	20 x 20 x 18 (4.2 Cu. Ft.)	10	130
R554	19 <sup>3</sup> / <sub>4</sub> x 15 x 13	20	240	R142	20 x 20 x 20 (4.6 Cu. Ft.)	10	130
TW554	19 <sup>3</sup> / <sub>4</sub> x 15 x 13	20	240	TW142	20 x 20 x 20 (4.6 Cu. Ft.)	10	130
R220	20 x 4 x 4	25	1750	R791	20 x 20 x 20 (275#)	10	130
TW220	20 x 4 x 4	25	1750	R672	20 x 20 x 20 (275# D/W)	5	80
TW556	20 x 5 x 5	25	1400	TW672	20 x 20 x 20 (275# D/W)	5	80
R557	20 x 6 x 6	25	500	R508	20 x 20 x 24	10	130
TW557	20 x 6 x 6	25	500	R569	20 x 20 x 25 (Max. U.S. Postal Service)	10	130
R217	20 x 8 x 8	25	500	TW569	20 x 20 x 25 (Max. U.S. Postal Service)	10	130
TW217	20 x 8 x 8	25	500	*R304	20 x 20 x 36	10	130
R696	20 x 10 x 6	25	500	*TW304	20 x 20 x 36	10	130
TW696	20 x 10 x 6	25	500	*R221	20 x 20 x 40	5	135
R224	20 x 10 x 8	25	500	*TW221	20 x 20 x 40	5	135
TW224	20 x 10 x 8	25	500	†*R888	20 x 20 x 48	5	135
R225	20 x 10 x 10	25	500	R235	20 <sup>3</sup> / <sub>16</sub> x 13 <sup>7</sup> / <sub>16</sub> x 7 <sup>3</sup> / <sub>4</sub>	25	500
TW225	20 x 10 x 10	25	500	TW235	20 <sup>3</sup> / <sub>16</sub> x 13 <sup>7</sup> / <sub>16</sub> x 7 <sup>3</sup> / <sub>4</sub>	25	500
R309	20 x 12 x 6	25	500	R793	20 <sup>1</sup> / <sub>2</sub> x 20 <sup>1</sup> / <sub>2</sub> x 10 <sup>1</sup> / <sub>4</sub>	15	270
TW309	20 x 12 x 6	25	500	R794	20 <sup>1</sup> / <sub>2</sub> x 20 <sup>1</sup> / <sub>2</sub> x 20 <sup>1</sup> / <sub>2</sub>	15	135
R558	20 x 12 x 8	25	375	R555	21 x 8 x 8	25	500
TW558	20 x 12 x 8	25	375	R222	21 x 12 x 12	15	270
R788	20 x 12 x 10	25	250	TW222	21 x 12 x 12	15	270
R227	20 x 12 x 12	25	500	R570	21 x 14 x 14	15	270
TW227	20 x 12 x 12	25	500	TW570	21 x 14 x 14	15	270
TW679	20 x 12 x 12 (275# D/W)	10	160	R571	21 x 18 x 8 <sup>1</sup> / <sub>2</sub>	15	270
R734	20 x 12 x 16	20	240	TW571	21 x 18 x 8 <sup>1</sup> / <sub>2</sub>	15	270
R559	20 x 13 x 10	25	250	R1014	21 <sup>3</sup> / <sub>8</sub> x 15 <sup>5</sup> / <sub>8</sub> x 6 <sup>3</sup> / <sub>8</sub>	15	270
TW559	20 x 13 x 10	25	250	R572	21 <sup>3</sup> / <sub>8</sub> x 15 <sup>5</sup> / <sub>8</sub> x 6 <sup>5</sup> / <sub>8</sub>	15	270
R560	20 x 14 x 6	25	375	TW572	21 <sup>3</sup> / <sub>8</sub> x 15 <sup>5</sup> / <sub>8</sub> x 6 <sup>5</sup> / <sub>8</sub>	15	270
TW560	20 x 14 x 6	25	375	R573	21 <sup>3</sup> / <sub>8</sub> x 15 <sup>5</sup> / <sub>8</sub> x 9 <sup>1</sup> / <sub>2</sub>	15	270
R882	20 x 14 x 8 (275# D/W)	15	150	TW573	21 <sup>3</sup> / <sub>8</sub> x 15 <sup>5</sup> / <sub>8</sub> x 9 <sup>1</sup> / <sub>2</sub>	15	270
R182	20 x 14 x 10	25	250	R574	21 <sup>3</sup> / <sub>8</sub> x 15 <sup>5</sup> / <sub>8</sub> x 12 <sup>5</sup> / <sub>8</sub>	15	270
TW182	20 x 14 x 10	25	250	TW574	21 <sup>3</sup> / <sub>8</sub> x 15 <sup>5</sup> / <sub>8</sub> x 12 <sup>5</sup> / <sub>8</sub>	15	270
R277	20 x 14 x 12 (#6 <sup>3</sup> / <sub>4</sub> Envelope)	25	250	R575	21 <sup>3</sup> / <sub>8</sub> x 15 <sup>5</sup> / <sub>8</sub> x 15 <sup>3</sup> / <sub>4</sub>	15	270
TW277	20 x 14 x 12 (#6 <sup>3</sup> / <sub>4</sub> Envelope)	25	250	TW575	21 <sup>3</sup> / <sub>8</sub> x 15 <sup>5</sup> / <sub>8</sub> x 15 <sup>3</sup> / <sub>4</sub>	15	270
R561	20 x 14 x 14	20	240	R530	21 <sup>3</sup> / <sub>8</sub> x 15 <sup>5</sup> / <sub>8</sub> x 18 <sup>5</sup> / <sub>8</sub>	15	135
TW561	20 x 14 x 14	20	240	TW530	21 <sup>3</sup> / <sub>8</sub> x 15 <sup>5</sup> / <sub>8</sub> x 18 <sup>5</sup> / <sub>8</sub>	15	135
R789	20 x 15 x 8 <sup>1</sup> / <sub>2</sub>	25	250	R576	21 <sup>3</sup> / <sub>8</sub> x 15 <sup>5</sup> / <sub>8</sub> x 30 <sup>5</sup> / <sub>8</sub>	10	130
R282	20 x 15 x 9	20	240	TW576	21 <sup>3</sup> / <sub>8</sub> x 15 <sup>5</sup> / <sub>8</sub> x 30 <sup>5</sup> / <sub>8</sub>	10	130
TW282	20 x 15 x 9	20	240	R285	21 <sup>3</sup> / <sub>8</sub> x 16 <sup>5</sup> / <sub>8</sub> x 12 <sup>1</sup> / <sub>8</sub>	15	270
R229	20 x 15 x 15	20	240	TW285	21 <sup>3</sup> / <sub>8</sub> x 16 <sup>5</sup> / <sub>8</sub> x 12 <sup>1</sup> / <sub>8</sub>	15	270
TW229	20 x 15 x 15	20	240	R797	21 <sup>3</sup> / <sub>8</sub> x 16 <sup>5</sup> / <sub>8</sub> x 24	10	130
R1021	20 x 16 x 8	25	250	R300	21 <sup>1</sup> / <sub>2</sub> x 10 <sup>5</sup> / <sub>8</sub> x 15 <sup>1</sup> / <sub>2</sub>	20	240

\*Exceeds U.S. Postal Service 108" max. †Exceeds U.P.S. 130" max.

Stock No.	Inside Dimensions L x W x D	No. Per Bundle	No. Per Pallet	Stock No.	Inside Dimensions L x W x D	No. Per Bundle	No. Per Pallet
TW300	21 <sup>1</sup> / <sub>2</sub> x 10 <sup>5</sup> / <sub>8</sub> x 15 <sup>1</sup> / <sub>2</sub>	20	240	R236	24 x 6 x 6	25	500
TW577	21 <sup>3</sup> / <sub>4</sub> x 12 <sup>1</sup> / <sub>2</sub> x 9 <sup>7</sup> / <sub>8</sub> (#10 Envelope)	20	240	TW236	24 x 6 x 6	25	500
R798	21 <sup>7</sup> / <sub>8</sub> x 17 <sup>7</sup> / <sub>8</sub> x 19 <sup>7</sup> / <sub>8</sub> (275#)	10	130	R228	24 x 8 x 6	25	500
R578	22 x 6 x 6	25	500	TW228	24 x 8 x 6	25	500
TW578	22 x 6 x 6	25	500	R237	24 x 8 x 8	25	500
R579	22 x 10 x 4	25	500	TW237	24 x 8 x 8	25	500
TW579	22 x 10 x 4	25	500	R806	24 x 9 x 9	25	500
R231	22 x 10 x 9	25	500	R603	24 x 10 x 6	25	500
TW231	22 x 10 x 9	25	500	TW603	24 x 10 x 6	25	500
R833	22 x 12 x 10	25	250	R238	24 x 10 x 8	25	500
R1044	22 x 12 x 12	25	250	TW238	24 x 10 x 8	25	500
R580	22 x 13 <sup>1</sup> / <sub>2</sub> x 10 <sup>3</sup> / <sub>4</sub>	20	240	R604	24 x 10 x 10	20	360
TW580	22 x 13 <sup>1</sup> / <sub>2</sub> x 10 <sup>3</sup> / <sub>4</sub>	20	240	TW604	24 x 10 x 10	20	360
R284	22 x 14 x 12	15	270	R807	24 x 10 x 15	25	250
TW284	22 x 14 x 12	15	270	R239	24 x 12 x 6	20	360
TW680	22 x 14 x 12 (275# D/W)	10	160	TW239	24 x 12 x 6	20	360
R144	22 x 14 x 14	15	270	R178	24 x 12 x 8	20	240
TW144	22 x 14 x 14	15	270	TW178	24 x 12 x 8	20	240
R834	22 x 15 x 10	20	240	R599	24 x 12 x 9	25	250
R1045	22 x 15 x 15	15	270	R605	24 x 12 x 11	20	240
R581	22 x 17 x 12	15	270	TW605	24 x 12 x 11	20	240
TW581	22 x 17 x 12	15	270	R45	24 x 12 x 12 (2 Cu. Ft.)	20	240
R891	22 x 18 x 6	20	240	TW45	24 x 12 x 12 (2 Cu. Ft.)	20	240
R330	22 x 18 x 16	10	130	R808	24 x 12 x 12 (275#)	15	270
TW330	22 x 18 x 16	10	130	R673	24 x 12 x 12 (275# D/W)	10	160
R713	22 x 20 x 18 <sup>1</sup> / <sub>2</sub>	10	130	TW673	24 x 12 x 12 (275# D/W)	10	160
TW713	22 x 20 x 18 <sup>1</sup> / <sub>2</sub>	10	130	R252	24 x 13 <sup>1</sup> / <sub>8</sub> x 12 <sup>3</sup> / <sub>4</sub>	15	270
R690	22 x 22 x 6	15	135	TW252	24 x 13 <sup>1</sup> / <sub>8</sub> x 12 <sup>3</sup> / <sub>4</sub>	15	270
TW690	22 x 22 x 6	15	135	R249	24 x 14 x 4	20	360
R1024	22 x 22 x 7	15	135	TW249	24 x 14 x 4	20	360
R583	22 x 22 x 8	15	270	R606	24 x 14 x 8	20	240
TW583	22 x 22 x 8	15	270	TW606	24 x 14 x 8	20	240
R584	22 x 22 x 10	15	270	R1033	24 x 14 x 10	20	240
TW584	22 x 22 x 10	15	270	R893	24 x 14 x 12	20	240
R521	22 x 22 x 12	10	130	R292	24 x 14 x 14 <sup>3</sup> / <sub>8</sub>	15	270
TW521	22 x 22 x 12	10	130	TW292	24 x 14 x 14 <sup>3</sup> / <sub>8</sub>	15	270
R585	22 x 22 x 16	10	130	R607	24 x 14 x 18	15	270
TW585	22 x 22 x 16	10	130	TW607	24 x 14 x 18	15	270
R232	22 x 22 x 18	10	130	R253	24 x 14 x 20	15	135
TW232	22 x 22 x 18	10	130	TW253	24 x 14 x 20	15	135
*R586	22 x 22 x 22	10	130	R809	24 x 16 x 2 <sup>5</sup> / <sub>8</sub>	25	250
*TW586	22 x 22 x 22	10	130	R608	24 x 16 x 4	20	240
*TW848	22 x 22 x 22 (275# D/W)	5	80	TW608	24 x 16 x 4	20	240
*R234	22 x 22 x 24	10	130	R257	24 x 16 x 6	20	240
*TW234	22 x 22 x 24	10	130	TW257	24 x 16 x 6	20	240
*R1035	22 x 22 x 30	10	130	R895	24 x 16 x 8	20	240
R799	22 <sup>1</sup> / <sub>16</sub> x 17 <sup>3</sup> / <sub>4</sub> x 10 <sup>1</sup> / <sub>16</sub> (275# D/W)	10	160	R155	24 x 16 x 13	15	270
R800	22 <sup>1</sup> / <sub>16</sub> x 17 <sup>3</sup> / <sub>4</sub> x 15 <sup>9</sup> / <sub>16</sub> (275# D/W)	10	80	TW155	24 x 16 x 13	15	270
R803	22 <sup>1</sup> / <sub>4</sub> x 18 x 7 <sup>9</sup> / <sub>16</sub> (275#)	15	270	R276	24 x 16 x 24	10	130
R804	22 <sup>1</sup> / <sub>4</sub> x 19 <sup>5</sup> / <sub>8</sub> x 12 <sup>1</sup> / <sub>4</sub>	15	135	TW276	24 x 16 x 24	10	130
R805	22 <sup>1</sup> / <sub>2</sub> x 22 <sup>1</sup> / <sub>2</sub> x 13	15	135	R609	24 x 17 x 3	20	240
TW840	23 x 4 <sup>1</sup> / <sub>2</sub> x 27 <sup>1</sup> / <sub>4</sub> (275# FOL) (Small Art)	15	240	TW609	24 x 17 x 3	20	240
R589	23 x 8 x 6	25	500	R46	24 x 17 x 15 (3.6 Cu. Ft.)	15	270
TW589	23 x 8 x 6	25	500	TW46	24 x 17 x 15 (3.6 Cu. Ft.)	15	270
R590	23 x 12 x 3 <sup>1</sup> / <sub>2</sub>	25	500	R258	24 x 18 x 10	15	270
TW590	23 x 12 x 3 <sup>1</sup> / <sub>2</sub>	25	500	TW258	24 x 18 x 10	15	270
R226	23 x 13 x 3 <sup>1</sup> / <sub>2</sub>	20	360	R260	24 x 18 x 12	15	270
TW226	23 x 13 x 3 <sup>1</sup> / <sub>2</sub>	20	360	TW260	24 x 18 x 12	15	270
R591	23 x 14 x 10	20	240	R810	24 x 18 x 12 (275#)	10	120
TW591	23 x 14 x 10	20	240	R110	24 x 18 x 18 (4.5 Cu. Ft.)	15	135
R600	23 x 16 x 19	10	130	TW110	24 x 18 x 18 (4.5 Cu. Ft.)	15	135
TW600	23 x 16 x 19	10	130	R674	24 x 18 x 18 (275# D/W)	5	80
R612	23 x 23 x 15	10	130	TW674	24 x 18 x 18 (275# D/W)	5	80
*TW299	23 x 23 x 20 (6.12 Cu. Ft.)	10	130	R1046	24 x 18 <sup>1</sup> / <sub>4</sub> x 20	10	130
R601	23 <sup>1</sup> / <sub>2</sub> x 14 x 4	25	250	R611	24 x 20 x 12	15	135
TW601	23 <sup>1</sup> / <sub>2</sub> x 14 x 4	25	250	TW611	24 x 20 x 12	15	135
R602	23 <sup>1</sup> / <sub>2</sub> x 14 x 6	20	360	TW846	24 x 22 x 12 (275#) (Stereo)	10	120
TW602	23 <sup>1</sup> / <sub>2</sub> x 14 x 6	20	360	R500	24 x 24 x 6	10	130
R87	23 <sup>1</sup> / <sub>2</sub> x 16 x 14 (3.1 Cu. Ft.)	15	270	TW500	24 x 24 x 6	10	130
TW87	23 <sup>1</sup> / <sub>2</sub> x 16 x 14 (3.1 Cu. Ft.)	15	270	R262	24 x 24 x 7	10	130

\*Exceeds U.S. Postal Service 108" max.

Stock No.	Inside Dimensions L x W x D	No. Per Bundle	No. Per Pallet	Stock No.	Inside Dimensions L x W x D	No. Per Bundle	No. Per Pallet
TW262	24 x 24 x 7	10	130	R245	28 x 6 x 6	25	500
R240	24 x 24 x 12	10	130	TW245	28 x 6 x 6	25	500
TW240	24 x 24 x 12	10	130	R1048	28 x 11 x 9	25	250
R613	24 x 24 x 16	10	130	R314	28 x 16 x 3 <sup>1</sup> / <sub>2</sub>	15	270
TW613	24 x 24 x 16	10	130	TW314	28 x 16 x 3 <sup>1</sup> / <sub>2</sub>	15	270
*R241	24 x 24 x 18 <sup>1</sup> / <sub>2</sub>	10	130	R315	28 x 16 x 5	15	270
*TW241	24 x 24 x 18 <sup>1</sup> / <sub>2</sub>	10	130	TW315	28 x 16 x 5	15	270
*R614	24 x 24 x 20	10	130	R316	28 x 16 x 7	15	270
*TW614	24 x 24 x 20	10	130	TW316	28 x 16 x 7	15	270
*R141	24 x 24 x 24 (8 Cu. Ft.)	10	130	TW317	28 x 16 x 9	15	270
*R898	24 x 24 x 24 (x-scores 18",20",22")	10	130	R626	28 x 16 x 12	10	260
*TW141	24 x 24 x 24 (8 Cu. Ft.)	10	130	TW626	28 x 16 x 12	10	260
*R675	24 x 24 x 24 (275# D/W)	5	80	R627	28 x 16 x 14	10	260
*TW675	24 x 24 x 24 (275# D/W)	5	80	TW627	28 x 16 x 14	10	260
*R615	24 x 24 x 30	5	135	*R630	28 x 28 x 12	5	135
*TW615	24 x 24 x 30	5	135	*TW630	28 x 28 x 12	5	135
†*R242	24 x 24 x 36 (12 Cu. Ft.)	5	135	*R631	28 x 28 x 20	5	135
†*TW242	24 x 24 x 36 (12 Cu. Ft.)	5	135	*TW631	28 x 28 x 20	5	135
†*R681	24 x 24 x 36 (275# D/W)	5	80	†*R632	28 x 28 x 28	5	135
†*TW681	24 x 24 x 36 (275# D/W)	5	80	†*TW632	28 x 28 x 28	5	135
†*TW616	24 x 24 x 48	5	135	†*R1016	28 x 28 x 40	5	135
R297	25 x 12 x 10	25	250	R565	29 x 10 x 9	25	250
TW297	25 x 12 x 10	25	250	R633	29 x 17 x 3	15	270
R835	25 x 15 x 12	20	240	TW633	29 x 17 x 3	15	270
R263	25 x 17 x 15	15	270	R634	29 x 17 x 7	15	270
TW263	25 x 17 x 15	15	270	TW634	29 x 17 x 7	15	270
TW503	25 x 19 x 5	15	240	R246	29 x 17 x 9	15	270
TW504	25 x 19 x 7	15	240	TW246	29 x 17 x 9	15	270
R850	25 x 19 x 10	15	135	R635	29 x 17 x 12	10	130
R617	25 x 19 x 10 <sup>1</sup> / <sub>2</sub>	15	135	TW635	29 x 17 x 12	10	130
TW617	25 x 19 x 10 <sup>1</sup> / <sub>2</sub>	15	135	R247	29 x 17 x 15	15	135
*R47	25 x 25 x 20	10	130	TW247	29 x 17 x 15	15	135
*TW47	25 x 25 x 20	10	130	R1039	29 x 17 x 20	10	130
TW78	25 <sup>1</sup> / <sub>8</sub> x 8 <sup>3</sup> / <sub>8</sub> x 17 <sup>1</sup> / <sub>2</sub> (TW11, 6 Pack Master)	25	250	R1031	29 <sup>1</sup> / <sub>2</sub> x 14 <sup>1</sup> / <sub>2</sub> x 22 <sup>1</sup> / <sub>2</sub>	10	130
R264	25 <sup>1</sup> / <sub>2</sub> x 13 x 13	20	240	R1025	30 x 13 x 13	15	270
TW264	25 <sup>1</sup> / <sub>2</sub> x 13 x 13	20	240	TW254	30 x 14 x 3	20	360
R812	25 <sup>1</sup> / <sub>2</sub> x 14 x 8 <sup>1</sup> / <sub>8</sub>	25	250	R271	30 x 14 x 5	20	240
*R505	25 <sup>5</sup> / <sub>8</sub> x 25 <sup>5</sup> / <sub>8</sub> x 25 <sup>1</sup> / <sub>4</sub> (Max. U.P.S.)	5	135	TW271	30 x 14 x 5	20	240
*TW505	25 <sup>5</sup> / <sub>8</sub> x 25 <sup>5</sup> / <sub>8</sub> x 25 <sup>1</sup> / <sub>4</sub> (Max. U.P.S.)	5	135	R280	30 x 14 x 7	15	270
†*R1028	25 <sup>5</sup> / <sub>8</sub> x 25 <sup>5</sup> / <sub>8</sub> x 25 <sup>1</sup> / <sub>4</sub> (275# D/W)	5	80	TW280	30 x 14 x 7	15	270
R618	26 x 12 x 12	20	240	R636	30 x 15 x 15	10	130
TW618	26 x 12 x 12	20	240	TW636	30 x 15 x 15	10	130
R588	26 x 14 x 13	15	270	R817	30 x 15 x 15 (275#)	10	130
R814	26 x 15 x 3	25	250	R1007	30 x 15 x 15 (275# D/W)	10	80
R619	26 x 15 x 5	15	270	TW301	30 x 17 x 3	20	240
TW619	26 x 15 x 5	15	270	R148	30 x 18 x 16	10	130
R620	26 x 15 x 7	15	270	TW148	30 x 18 x 16	10	130
TW620	26 x 15 x 7	15	270	R1012	30 x 20 x 9	15	135
R1017	26 x 16 x 10	15	270	*TW851	30 x 20 x 20 (275#)	5	125
R149	26 x 16 x 14	15	270	*R1049	30 x 20 x 25	5	135
TW149	26 x 16 x 14	15	270	R256	30 x 24 x 10	10	130
R621	26 x 16 x 19	10	130	TW256	30 x 24 x 10	10	130
TW621	26 x 16 x 19	10	130	R637	30 x 24 x 12	10	130
R72	26 x 17 x 5	20	240	TW637	30 x 24 x 12	10	130
TW72	26 x 17 x 5	20	240	TW339	30 x 24 x 12 (275# D/W)	5	80
R700	26 x 18 x 12	10	260	*R818	30 x 24 x 24 (Max. U.P.S.)	5	135
TW700	26 x 18 x 12	10	260	†*R303	30 x 30 x 30	5	135
*R623	26 x 26 x 20	5	135	†*TW303	30 x 30 x 30	5	135
*TW623	26 x 26 x 20	5	135	†*R676	30 x 30 x 30 (275# D/W)	5	80
R243	27 x 14 x 9	20	240	†*TW676	30 x 30 x 30 (275# D/W)	5	80
TW243	27 x 14 x 9	20	240	R48	30 <sup>1</sup> / <sub>2</sub> x 18 <sup>1</sup> / <sub>2</sub> x 18 <sup>1</sup> / <sub>2</sub>	10	130
R624	27 x 15 x 6 <sup>1</sup> / <sub>2</sub>	15	270	TW48	30 <sup>1</sup> / <sub>2</sub> x 18 <sup>1</sup> / <sub>2</sub> x 18 <sup>1</sup> / <sub>2</sub>	10	130
TW624	27 x 15 x 6 <sup>1</sup> / <sub>2</sub>	15	270	R819	30 <sup>1</sup> / <sub>2</sub> x 18 <sup>1</sup> / <sub>2</sub> x 18 <sup>1</sup> / <sub>2</sub> (275#)	5	135
R625	27 x 23 x 8 <sup>1</sup> / <sub>2</sub> (x-scores at 2 <sup>1</sup> / <sub>2</sub> ",4 <sup>1</sup> / <sub>2</sub> ",6 <sup>1</sup> / <sub>2</sub> ")	10	130	*TW682	30 <sup>1</sup> / <sub>2</sub> x 18 <sup>1</sup> / <sub>2</sub> x 18 <sup>1</sup> / <sub>2</sub> (275# D/W)	5	80
TW625	27 x 23 x 8 <sup>1</sup> / <sub>2</sub> (x-scores at 2 <sup>1</sup> / <sub>2</sub> ",4 <sup>1</sup> / <sub>2</sub> ",6 <sup>1</sup> / <sub>2</sub> ")	10	130	R587	31 x 10 x 8	20	360
†*R244	27 x 27 x 27	5	135	R638	31 x 16 x 9	10	260
†*TW244	27 x 27 x 27	5	135	TW638	31 x 16 x 9	10	260
†*R815	27 x 27 x 36 (275# D/W)	5	80	R820	31 x 16 x 14	15	135
R816	27 <sup>5</sup> / <sub>8</sub> x 15 <sup>5</sup> / <sub>8</sub> x 11 <sup>3</sup> / <sub>8</sub>	15	270	R649	31 x 24 x 8 <sup>1</sup> / <sub>2</sub> (x-scores at 2 <sup>1</sup> / <sub>2</sub> ",4 <sup>1</sup> / <sub>2</sub> ",6 <sup>1</sup> / <sub>2</sub> ")	10	130
TW841	28 x 5 <sup>1</sup> / <sub>2</sub> x 38 (275# FOL) (Med. Art)	10	120	TW649	31 x 24 x 8 <sup>1</sup> / <sub>2</sub> (x-scores at 2 <sup>1</sup> / <sub>2</sub> ",4 <sup>1</sup> / <sub>2</sub> ",6 <sup>1</sup> / <sub>2</sub> ")	10	130

\*Exceeds U.S. Postal Service 108" max. †Exceeds U.P.S. 130" max.

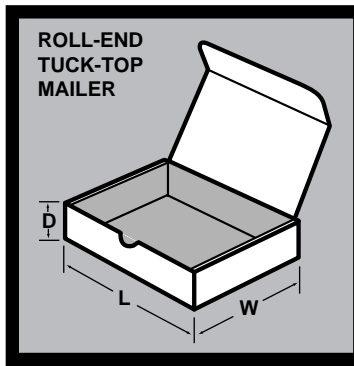
Stock No.	Inside Dimensions L x W x D	No. Per Bundle	No. Per Pallet	Stock No.	Inside Dimensions L x W x D	No. Per Bundle	No. Per Pallet
*R595	31 x 24 x 19	5	135	TW255	40 x 8 x 8	20	360
*TW595	31 x 24 x 19	5	135	R665	42 x 11 x 6	15	270
TW650	31 <sup>3</sup> / <sub>8</sub> x 21 <sup>3</sup> / <sub>8</sub> x 12 <sup>5</sup> / <sub>8</sub>	10	130	TW665	42 x 11 x 6	15	270
R1034	31 <sup>3</sup> / <sub>8</sub> x 21 <sup>5</sup> / <sub>8</sub> x 12 <sup>5</sup> / <sub>8</sub>	10	130	R666	42 x 11 x 10	10	260
R248	32 x 6 x 6	25	500	TW666	42 x 11 x 10	10	260
TW248	32 x 6 x 6	25	500	R667	44 x 12 x 12	10	260
*TW842	32 x 6 x 42 (275# FOL) (Large Art)	5	125	TW667	44 x 12 x 12	10	260
R652	32 x 8 x 8	20	360	*R668	46 x 20 x 12 (x-score at 9")	10	130
TW652	32 x 8 x 8	20	360	*TW668	46 x 20 x 12 (x-score at 9")	10	130
R821	32 x 10 x 6	25	375	†*TW844	54 x 8 <sup>1</sup> / <sub>2</sub> x 28 <sup>1</sup> / <sub>2</sub> (275# FOL) (Bicycle)	5	125
R568	32 x 12 x 9	20	240				
R596	32 x 13 x 6	15	270				
TW596	32 x 13 x 6	15	270				
R97	32 x 14 x 5	15	270				
R653	32 x 15 <sup>5</sup> / <sub>8</sub> x 12 <sup>5</sup> / <sub>8</sub>	10	130				
TW653	32 x 15 <sup>5</sup> / <sub>8</sub> x 12 <sup>5</sup> / <sub>8</sub>	10	130				
*R822	32 x 15 <sup>5</sup> / <sub>8</sub> x 24 <sup>3</sup> / <sub>4</sub>	10	130				
*R823	32 x 15 <sup>5</sup> / <sub>8</sub> x 30 <sup>5</sup> / <sub>8</sub>	10	130				
R281	32 x 17 x 16	10	130				
TW281	32 x 17 x 16	10	130				
TW655	32 x 24 x 4	10	130				
R683	32 <sup>3</sup> / <sub>4</sub> x 18 <sup>1</sup> / <sub>4</sub> x 12 <sup>1</sup> / <sub>2</sub> (275#)	10	120				
R250	33 x 14 x 14	15	270				
TW250	33 x 14 x 14	15	270				
TW267	33 x 18 x 5	10	260				
R216	33 x 18 x 10	10	260				
TW216	33 x 18 x 10	10	260				
R656	33 x 19 x 4 <sup>1</sup> / <sub>2</sub>	10	260				
†*TW845	33 <sup>1</sup> / <sub>2</sub> x 23 <sup>1</sup> / <sub>2</sub> x 23 <sup>1</sup> / <sub>2</sub> (275#) (Appliance)	5	125				
†*TW843	35 <sup>3</sup> / <sub>4</sub> x 5 <sup>1</sup> / <sub>2</sub> x 45 <sup>1</sup> / <sub>4</sub> (275# FOL) (X-Lrg Art)	5	125				
R657	36 x 6 x 6	20	480				
TW657	36 x 6 x 6	20	480				
R177	36 x 8 x 8	20	360				
TW177	36 x 8 x 8	20	360				
R824	36 x 10 x 6	25	375				
R1050	36 x 11 <sup>1</sup> / <sub>2</sub> x 11 <sup>1</sup> / <sub>2</sub>	20	240				
R658	36 x 12 x 4	15	405				
TW658	36 x 12 x 4	15	405				
R251	36 x 12 x 10	15	270				
TW251	36 x 12 x 10	15	270				
R289	36 x 12 x 16	10	260				
TW289	36 x 12 x 16	10	260				
R669	36 x 16 x 5	10	260				
TW669	36 x 16 x 5	10	260				
R659	36 x 16 x 7	10	260				
TW659	36 x 16 x 7	10	260				
R825	36 x 20 x 7	10	130				
TW825	36 x 20 x 7	10	130				
R660	36 x 20 x 9	10	130				
TW660	36 x 20 x 9	10	130				
*R661	36 x 20 x 15	10	130				
*TW661	36 x 20 x 15	10	130				
R662	36 x 21 x 12	10	130				
TW662	36 x 21 x 12	10	130				
*R283	36 x 21 x 20	5	135				
*TW283	36 x 21 x 20	5	135				
*R826	36 x 21 x 20 (275#)	5	135				
†*R827	36 x 24 x 24	5	135				
*TW847	36 x 30 x 12 (x-score at 8")	5	135				
†*R906	36 x 36 x 36 (275# D/W)	1	80				
†*R1051	36 x 36 x 42	1	130				
*R828	36 <sup>3</sup> / <sub>8</sub> x 21 <sup>7</sup> / <sub>8</sub> x 19 <sup>7</sup> / <sub>8</sub> (275#)	5	135				
TW663	37 x 9 x 9	20	240				
*R830	37 x 14 x 21	10	130				
†*R664	39 x 20 x 36	5	135				
†*TW664	39 x 20 x 36	5	135				
†*R831	39 x 20 x 36 (275# D/W)	5	80				
R597	39 <sup>1</sup> / <sub>2</sub> x 15 <sup>1</sup> / <sub>2</sub> x 17 <sup>1</sup> / <sub>4</sub>	10	130				
R622	39 <sup>1</sup> / <sub>2</sub> x 20 x 10	10	130				
R255	40 x 8 x 8	20	360				

\*Exceeds U.S. Postal Service 108" max. †Exceeds U.P.S. 130" max.

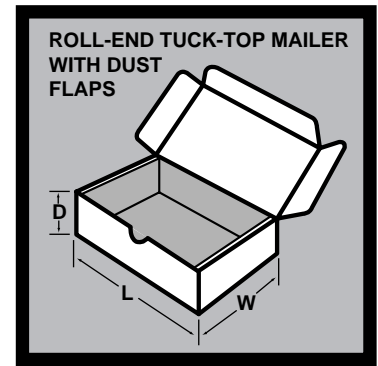
# CORRUGATED MAILERS (DIE-CUT)

32 ECT #3 WHITE OUTSIDE

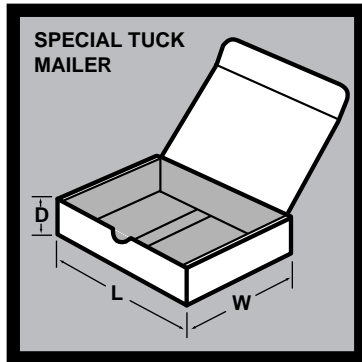
Furnished flat — Rigid self-locking design sets up in seconds — Perfect for shipping and mailing, shelf display or storage — All dimensions are inside dimensions.



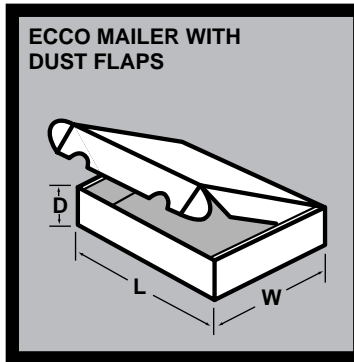
RETT



RETT/DF



ST



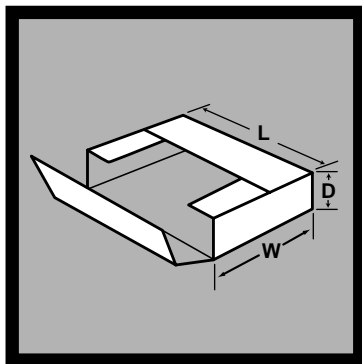
ECCO/DF



ECCO/ST

Stock No.	Inside Dimensions L x W x D	Style	No. Per Bundle	No. Per Pallet	Stock No.	Inside Dimensions L x W x D	Style	No. Per Bundle	No. Per Pallet
M424	3 x 2 x 1	RETT	50	5250	M420	7 x 4 x 3	RETT	50	2100
M444	3 x 2 x 2	RETT	50	8750	M427	7 x 4 x 4	RETT	50	1750
M412	3 x 3 x 2	RETT	50	4200	M457	7 x 6 1/2 x 1 7/8	RETT	50	2100
M431	3 x 3 x 3	ST	50	3150	M406	7 1/2 x 3 1/4 x 2 1/4	ST	50	3150
M488	3 1/4 x 3 1/4 x 1 1/2	ECCO/DF	50	7000	M407	7 1/2 x 3 3/4 x 3 1/4	ST	50	3150
M445	3 5/8 x 2 1/16 x 2 1/16 (250 Cards)	RETT	50	5600	M461	7 1/2 x 4 1/4 x 1 1/16 (Video Cassette)	ECCO/DF	50	4200
M436	3 3/4 x 3 1/2 x 2 5/8 (200 Cards)	ECCO/ST	50	4200	M411	7 1/2 x 5 1/2 x 3	RETT	50	2100
M446	4 x 2 x 2	RETT	50	7000	M493	7 1/2 x 7 1/2 x 2	ECCO/DF	50	2100
M489	4 x 3 x 1 1/2	ECCO/DF	50	7000	M408	7 1/2 x 7 1/2 x 3 1/4	RETT	50	1400
M438	4 x 3 x 2	RETT/DF	50	4200	M458	8 x 3 x 2	RETT	50	2800
M484	4 x 3 x 3	ST	50	3150	M459	8 x 4 x 2	RETT	50	2800
M413	4 x 4 x 2	RETT	50	4200	M460	8 x 4 x 3	RETT	50	2100
M414	4 x 4 x 3	RETT	50	4200	M421	8 x 4 x 4	RETT	50	1400
M490	4 1/2 x 3 3/8 x 1 1/16	RETT	50	7000	M487	8 x 5 x 1 1/4 (Video Cassette)	ECCO/DF	50	3150
M447	5 x 2 x 2	RETT	50	7000	M409	8 x 5 x 3	ST	50	2100
M440	5 x 3 x 2	RETT	50	4200	M478	8 x 6 x 1 1/2	ECCO/DF	50	2100
M448	5 x 3 x 3	RETT	50	3150	M464	8 1/8 x 4 3/4 x 1 3/16 (Video Cassette)	ECCO/DF	50	3150
M437	5 x 4 x 2	RETT	50	3150	M467	8 1/4 x 8 1/4 x 1 3/4	RETT	50	2100
M449	5 x 4 x 3	RETT	50	3150	M462	9 x 2 x 2	RETT	50	3500
M428	5 x 5 x 3	RETT	50	3150	M463	9 x 3 x 3	RETT	50	2100
M425	5 5/16 x 3 5/8 x 2 1/16 (500 Cards)	RETT	50	4200	M416	9 x 4 x 4	RETT/DF	50	1400
M491	5 1/2 x 3 x 2 1/2	ST	50	3150	M473	9 x 5 1/2 x 1 1/4 (Video Cassette)	ECCO/DF	50	3150
M442	5 1/2 x 4 x 2	RETT	50	3150	M401	9 x 6 x 1	RETT/DF	50	3150
M426	6 x 2 x 2	RETT	50	5250	M511	9 x 6 x 3 1/2	ECCO/ST	50	1400
M451	6 x 3 x 2	RETT	50	4200	M486	9 x 6 x 3 1/2 (Spec. Sty. Security Mailer)		50	700
M433	6 x 3 x 3	ST	50	4200	M429	9 3/8 x 5 1/4 x 2 1/2	RETT	50	2100
M477	6 x 4 x 2	ECCO/DF	50	3150	M430	9 3/8 x 7 1/4 x 2 1/2	RETT	50	1400
M415	6 x 4 x 3	RETT	50	2100	M410	9 1/2 x 8 x 2 1/4	RETT	50	1400
M441	6 x 4 1/2 x 2 1/4	RETT	50	2100	M465	10 x 2 x 2	RETT	50	2800
M452	6 x 6 x 1	RETT	50	4200	M466	10 x 3 x 2	RETT	50	2800
M417	6 x 6 x 3	RETT	50	1400	M510	10 x 3 x 3	ST	50	2100
M432	6 1/4 x 4 1/4 x 1 1/2	RETT/DF	50	3150	M468	10 x 4 x 2	RETT	50	2100
M439	6 1/2 x 3 3/4 x 1 1/2	RETT	50	4200	M469	10 x 4 x 3	RETT	50	2100
M418	6 1/2 x 4 1/2 x 2	RETT	50	2100	M422	10 x 4 x 4	RETT	50	1400
M492	6 1/2 x 4 1/2 x 4	ST	50	2100	M496	10 x 10 x 2	RETT	50	1400
M443	6 5/8 x 4 1/8 x 3 5/8	RETT/DF	50	1400	M470	10 1/8 x 4 1/8 x 3 1/2	RETT/DF	50	1400
M455	7 x 3 x 2	RETT	50	4200	M471	10 5/8 x 3 5/8 x 2 1/16	RETT	50	2100
M485	7 x 3 x 3	ST	50	3150	M497	11 x 6 1/2 x 2 3/4	RETT	50	1400
M456	7 x 4 x 2	RETT	50	3150	M472	11 1/8 x 4 1/2 x 2 5/8	RETT/DF	50	1400

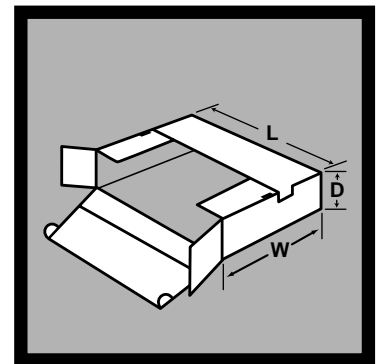
Stock No.	Inside Dimensions L x W x D	Style	No. Per Bundle	No. Per Pallet	Stock No.	Inside Dimensions L x W x D	Style	No. Per Bundle	No. Per Pallet
M402	11 <sup>1</sup> / <sub>4</sub> x 8 <sup>3</sup> / <sub>4</sub> x 2 <sup>1</sup> / <sub>8</sub>	RETT	50	1400	M404	14 <sup>1</sup> / <sub>4</sub> x 8 <sup>3</sup> / <sub>4</sub> x 2	RETT/DF	50	1400
M405	11 <sup>1</sup> / <sub>4</sub> x 8 <sup>3</sup> / <sub>4</sub> x 3	RETT	50	1400	GB5	15 x 11 x 2	RETT/DF	50	700
M403	11 <sup>1</sup> / <sub>4</sub> x 8 <sup>3</sup> / <sub>4</sub> x 4	RETT	50	1400	M501	15 <sup>1</sup> / <sub>8</sub> x 8 <sup>3</sup> / <sub>4</sub> x 2	RETT	50	1400
M494	11 <sup>1</sup> / <sub>2</sub> x 9 x 2 <sup>1</sup> / <sub>8</sub>	ECCO/DF	50	1400	M502	15 <sup>1</sup> / <sub>8</sub> x 8 <sup>3</sup> / <sub>4</sub> x 3	RETT	50	1400
M498	12 x 3 x 3	ECCO/ST	50	2100	M503	15 <sup>1</sup> / <sub>8</sub> x 11 <sup>1</sup> / <sub>4</sub> x 2	RETT	50	1400
M423	12 x 6 x 4	RETT/DF	50	700	M504	15 <sup>1</sup> / <sub>8</sub> x 11 <sup>1</sup> / <sub>4</sub> x 3	RETT	50	700
M479	12 x 8 x 1 <sup>1</sup> / <sub>2</sub>	ECCO/DF	50	1400	M505	15 <sup>7</sup> / <sub>8</sub> x 3 <sup>3</sup> / <sub>4</sub> x 2 <sup>5</sup> / <sub>8</sub>	ECCO/ST	50	2100
M480	12 x 12 x 1 <sup>1</sup> / <sub>2</sub>	ECCO/DF	50	1400	M481	16 x 12 x 1 <sup>1</sup> / <sub>2</sub>	ECCO/DF	25	1400
M474	12 <sup>1</sup> / <sub>4</sub> x 6 <sup>1</sup> / <sub>2</sub> x 4 <sup>1</sup> / <sub>8</sub>	RETT/DF	50	700	GB2	17 x 11 x 2 <sup>1</sup> / <sub>2</sub>	RETT/DF	25	700
M434	12 <sup>1</sup> / <sub>4</sub> x 9 <sup>1</sup> / <sub>4</sub> x 2	RETT	50	1400	M482	18 x 12 x 1 <sup>1</sup> / <sub>2</sub>	ECCO/DF	25	700
M419	12 <sup>1</sup> / <sub>4</sub> x 9 <sup>1</sup> / <sub>4</sub> x 3	RETT	50	1400	M509	19 x 12 x 2 <sup>1</sup> / <sub>2</sub>	RETT	25	700
M435	12 <sup>1</sup> / <sub>4</sub> x 9 <sup>1</sup> / <sub>4</sub> x 4	RETT	50	700	GB3	19 x 12 x 3	RETT/DF	25	700
M475	12 <sup>1</sup> / <sub>2</sub> x 5 x 3	RETT	50	1400	M483	20 x 10 x 2 <sup>1</sup> / <sub>4</sub>	ECCO/DF	25	700
GB1	13 x 10 x 2	RETT/DF	50	1400	M476	20 <sup>5</sup> / <sub>8</sub> x 6 <sup>5</sup> / <sub>8</sub> x 4 <sup>1</sup> / <sub>8</sub>	RETT/DF	25	700
M506	13 <sup>1</sup> / <sub>2</sub> x 13 <sup>1</sup> / <sub>2</sub> x 2	ECCO/DF	50	700	GB6	23 x 13 x 2 <sup>1</sup> / <sub>2</sub>	RETT/DF	25	350
M500	14 x 3 x 3	ECCO/ST	50	2100	GB4	23 x 13 x 3 <sup>1</sup> / <sub>2</sub>	RETT/DF	25	350



F, VDF

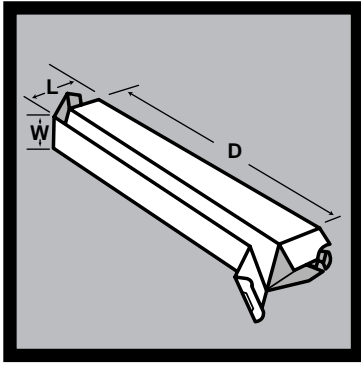
**CORRUGATED (DIE-CUT)  
ONE-PIECE FOLDERS,  
SELF-LOCKING FOLDERS,  
AND VARI-DEPTH FOLDERS**  
32 ECT #3 WHITE OUTSIDE

*Ideal for shipping and mailing of books, stationery, photos, binders, records and disks – Furnished flat – set up and seal in seconds with tape or glue – Vari-Depth Folders keep inventory of sizes to a minimum – All dimensions are inside dimensions.*



SLF

Stock No.	Inside Dimensions L x W x D	No. Per Bundle	No. Per Pallet	Stock No.	Inside Dimensions L x W x D	No. Per Bundle	No. Per Pallet
VDF20	5 <sup>5</sup> / <sub>8</sub> x 5 x 7 <sup>1</sup> / <sub>16</sub> -1 <sup>3</sup> / <sub>4</sub> (CD Vari-depth)	50	3150	F25	11 <sup>3</sup> / <sub>4</sub> x 10 <sup>1</sup> / <sub>2</sub> x 1 <sup>3</sup> / <sub>4</sub> (Binder Size)	50	1400
F23	5 <sup>11</sup> / <sub>16</sub> x 5 <sup>3</sup> / <sub>8</sub> x 1 <sup>1</sup> / <sub>2</sub>	50	5600	F15	12 x 10 <sup>1</sup> / <sub>2</sub> x 2 (2" Binder Size)	50	1400
VDF21	5 <sup>1</sup> / <sub>16</sub> x 5 <sup>3</sup> / <sub>8</sub> x 1 <sup>1</sup> / <sub>2</sub> -2	50	3150	VDF24	12 x 11 <sup>1</sup> / <sub>2</sub> x 1 <sup>1</sup> / <sub>2</sub> -3 (Vari-depth)	50	1050
VDF19	6 <sup>1</sup> / <sub>2</sub> x 6 <sup>1</sup> / <sub>2</sub> x 1 <sup>1</sup> / <sub>2</sub> -2 (Vari-depth)	50	2100	F20	12 x 11 <sup>1</sup> / <sub>2</sub> x 3 (3" Binder Size)	50	1050
VDF16	7 <sup>1</sup> / <sub>2</sub> x 5 x 1 <sup>1</sup> / <sub>2</sub> -2 (Vari-depth)	50	3150	VDF4	12 <sup>1</sup> / <sub>4</sub> x 9 <sup>1</sup> / <sub>4</sub> x 1 <sup>1</sup> / <sub>2</sub> -2 (Vari-depth)	50	1400
VDF25	8 <sup>1</sup> / <sub>2</sub> x 6 x 1 <sup>1</sup> / <sub>2</sub> -2 (Vari-depth)	50	2100	VDF9	12 <sup>1</sup> / <sub>2</sub> x 12 <sup>1</sup> / <sub>2</sub> x 1 <sup>1</sup> / <sub>4</sub> -1 (Vari-depth)	50	1400
F2	8 <sup>1</sup> / <sub>2</sub> x 6 x 1 <sup>1</sup> / <sub>2</sub>	50	2100	VDF6	12 <sup>1</sup> / <sub>2</sub> x 12 <sup>1</sup> / <sub>2</sub> x 1 <sup>1</sup> / <sub>2</sub> -2 (Vari-depth)	50	1050
VDF2	8 <sup>1</sup> / <sub>2</sub> x 6 <sup>1</sup> / <sub>2</sub> x 1 <sup>1</sup> / <sub>2</sub> -2 (5 x 7 Vari-depth)	50	2100	F7	12 <sup>1</sup> / <sub>2</sub> x 12 <sup>1</sup> / <sub>2</sub> x 1	50	1400
F17	8 <sup>1</sup> / <sub>2</sub> x 8 <sup>1</sup> / <sub>16</sub> x 1 <sup>1</sup> / <sub>2</sub>	50	2100	F9	12 <sup>1</sup> / <sub>2</sub> x 12 <sup>1</sup> / <sub>2</sub> x 2	50	1050
VDF22	8 <sup>1</sup> / <sub>2</sub> x 8 <sup>1</sup> / <sub>16</sub> x 1 <sup>1</sup> / <sub>2</sub> -2	50	2100	F10	12 <sup>1</sup> / <sub>2</sub> x 12 <sup>1</sup> / <sub>2</sub> x 3	50	700
F18	8 <sup>1</sup> / <sub>2</sub> x 8 <sup>1</sup> / <sub>16</sub> x 1	50	2100	F16	12 <sup>1</sup> / <sub>2</sub> x 12 <sup>1</sup> / <sub>2</sub> x 4	50	700
VDF23	9 <sup>1</sup> / <sub>8</sub> x 9 <sup>1</sup> / <sub>8</sub> x 1 <sup>1</sup> / <sub>2</sub> -4 (Vari-depth)	50	1400	VDF17	14 x 14 x 1 <sup>1</sup> / <sub>2</sub> -2 (Vari-depth)	50	700
VDF3	9 <sup>1</sup> / <sub>2</sub> x 6 <sup>1</sup> / <sub>2</sub> x 1 <sup>1</sup> / <sub>2</sub> -2 (Vari-depth)	50	2100	VDF10	15 x 9 <sup>1</sup> / <sub>4</sub> x 1 <sup>1</sup> / <sub>2</sub> -2 (Vari-depth)	50	1400
F3	9 <sup>1</sup> / <sub>2</sub> x 6 <sup>1</sup> / <sub>2</sub> x 2	50	3150	VDF11	15 x 11 <sup>1</sup> / <sub>2</sub> x 1 <sup>1</sup> / <sub>2</sub> -2 (Vari-depth)	50	700
SLF4	10 x 7 x 2	50	1400	F21	15 x 15 x 2	50	700
VDF12	10 <sup>1</sup> / <sub>4</sub> x 8 <sup>1</sup> / <sub>4</sub> x 1 <sup>1</sup> / <sub>2</sub> -2 (Vari-depth)	50	1400	SLF3	15 x 15 x 2	50	700
VDF13	10 <sup>1</sup> / <sub>4</sub> x 10 <sup>1</sup> / <sub>4</sub> x 1 <sup>1</sup> / <sub>2</sub> -2 (Vari-depth)	50	1400	VDF18	16 x 12 <sup>1</sup> / <sub>4</sub> x 1 <sup>1</sup> / <sub>2</sub> -2 (Vari-depth)	50	700
F8	11 <sup>1</sup> / <sub>4</sub> x 8 <sup>3</sup> / <sub>4</sub> x 1 <sup>1</sup> / <sub>2</sub> (Letter Size)	50	2100	F22	16 x 16 x 2	50	700
VDF8	11 <sup>1</sup> / <sub>4</sub> x 8 <sup>3</sup> / <sub>4</sub> x 1 <sup>1</sup> / <sub>2</sub> -2 (Ltr. Sz. Vari-depth)	50	1400	F11	17 x 17 x 2	50	700
F4	11 <sup>1</sup> / <sub>4</sub> x 8 <sup>3</sup> / <sub>4</sub> x 1 (Letter Size)	50	2100	VDF14	17 <sup>3</sup> / <sub>4</sub> x 11 <sup>1</sup> / <sub>2</sub> x 1 <sup>1</sup> / <sub>2</sub> -2 (Letterhead Vari-depth)	50	1400
F14	11 <sup>1</sup> / <sub>4</sub> x 8 <sup>3</sup> / <sub>4</sub> x 2 (Letter Size)	50	1400	VDF15	17 <sup>3</sup> / <sub>4</sub> x 14 <sup>1</sup> / <sub>2</sub> x 1 <sup>1</sup> / <sub>2</sub> -2 (Letterhead Vari-depth)	50	700
VDF5	11 <sup>1</sup> / <sub>2</sub> x 9 <sup>1</sup> / <sub>2</sub> x 1 <sup>1</sup> / <sub>2</sub> -2 (8x10 Pic. Frame Vari-depth)	50	1400				
SLF1	11 <sup>1</sup> / <sub>2</sub> x 10 <sup>1</sup> / <sub>2</sub> x 2 <sup>1</sup> / <sub>4</sub>	50	1400				
SLF2	11 <sup>1</sup> / <sub>2</sub> x 11 x 3	50	1400				

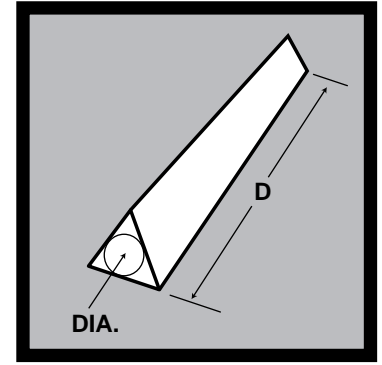


**FPF**

**CORRUGATED (DIE-CUT)  
SELF-LOCKING FIVE  
PANEL FOLDERS AND  
TRIANGLE TUBES**

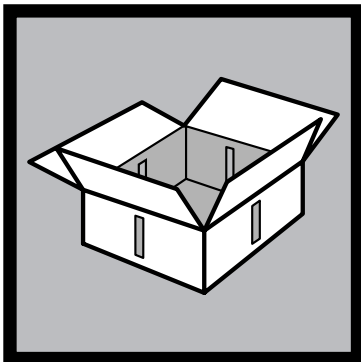
**32 ECT #3 WHITE OUTSIDE**

*Ideal for mailing rolled material such as Blueprints, Posters, Calendars or Charts — Self-locking ends provide easy opening and closing — Furnished flat — All dimensions are inside dimensions.*



**TRI**

Stock No.	Inside Dimensions L x W x D	No. Per Bundle	No. Per Pallet	Stock No.	Inside Dimensions L x W x D	No. Per Bundle	No. Per Pallet
FPF1	2 x 2 x 8	50	5600	FPF6	3 x 3 x 12 1/4	50	2100
FPF2	2 x 2 x 12 1/4	50	2800	FPF7	3 x 3 x 18 1/4	50	2100
TRI4	2 DIA. x 12 1/4	50	2100	TRI8	3 DIA. x 18 1/4	50	1400
FPF3	2 x 2 x 18 1/4	50	2800	FPF8	3 x 3 x 25 1/4	50	1050
FPF4	2 x 2 x 25 1/4	50	1750	TRI9	3 DIA. x 25 1/4	50	700
FPF12	2 1/2 x 2 1/2 x 8	50	3150	FPF10	3 x 3 x 30 1/4	50	1400
FPF13	2 1/2 x 2 1/2 x 12 1/4	50	2100	TRI5	3 DIA. x 30 1/4	50	700
FPF19	2 1/2 x 2 1/2 x 18 1/4	50	2100	FPF11	3 x 3 x 37 1/4	50	1050
FPF14	2 1/2 x 2 1/2 x 25 1/4	50	1400	FPF20	3 1/2 x 3 1/2 x 18 1/4	50	1400
TRI6	2 1/2 DIA. x 30 1/4	50	700	FPF17	3 1/2 x 3 1/2 x 25 1/4	50	1050
TRI7	2 1/2 DIA. x 37 1/4	50	700	FPF15	3 1/2 x 3 1/2 x 30 1/4	50	700
FPF5	3 x 3 x 8	50	2100	FPF18	3 1/2 x 3 1/2 x 37 1/4	50	700

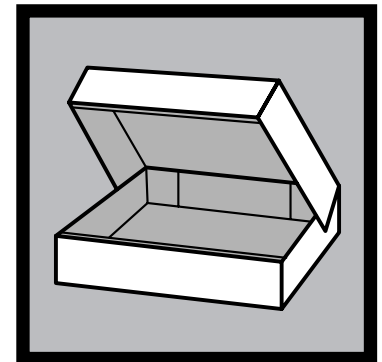


**MP1**

**CORRUGATED  
MEAT PATTIE  
BOXES**

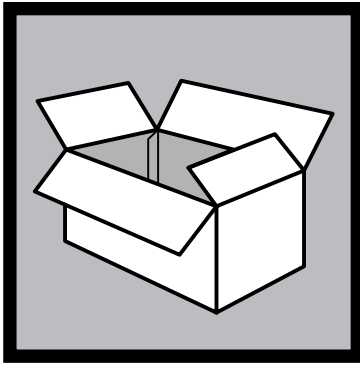
**32 ECT #3 WHITE OUTSIDE**

*For storage and shipping ground or processed meats — Vent slots provide air circulation when refrigerated — Furnished flat — Seal with tape or glue. — All dimensions are inside dimensions.*



**MP3**

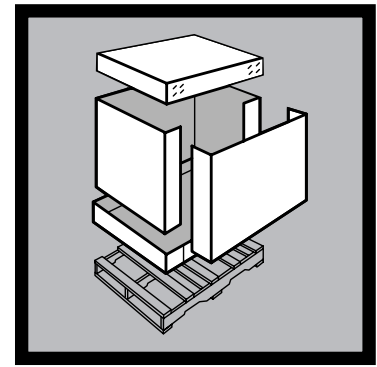
Stock No.	Inside Dimensions L x W x D		No. Per Bundle	No. Per Pallet
MP1	10 x 10 x 5 (R.S.C. with vent slots)		25	1050
MP3	15 1/2 x 10 x 3 1/4 (Die Cut Steak Box)		50	700



STYLES E, EH, QD

## CORRUGATED BULK CONTAINERS

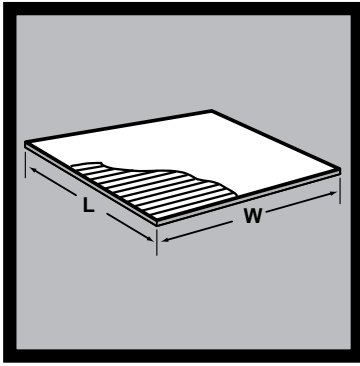
Seal with tape, glue or staples — Used for air freight and truck freight consolidation — Meets all Domestic and Air Transport Association standards — All dimensions are outside dimensions.



STYLES D, TRUCK PACK

Stock No.	Outside Dimensions L x W x D		Style	Wt. Per Each
*BC6	35 <sup>3</sup> / <sub>8</sub> x 21 x 21 A.T.A. 200# Doublewall Brown, F.O.L. Bottom & R.S.C. Top (Inside Dimensions 34 <sup>3</sup> / <sub>4</sub> x 20 <sup>3</sup> / <sub>8</sub> x 19 <sup>3</sup> / <sub>8</sub> )		EH	7
*BC8	35 <sup>3</sup> / <sub>8</sub> x 21 x 21 A.T.A. 350# Doublewall Brown, R.S.C. (Inside Dimensions 34 <sup>7</sup> / <sub>8</sub> x 20 <sup>1</sup> / <sub>4</sub> x 19 <sup>7</sup> / <sub>8</sub> )		EH	7
†*BC7	39 <sup>1</sup> / <sub>2</sub> x 27 <sup>1</sup> / <sub>2</sub> x 21 A.T.A. 350# Doublewall Brown, R.S.C. (Inside Dimensions 38 <sup>13</sup> / <sub>16</sub> x 26 <sup>3</sup> / <sub>4</sub> x 19 <sup>3</sup> / <sub>4</sub> )		QD	9
†*BC5	42 x 29 x 25 <sup>1</sup> / <sub>2</sub> A.T.A. 200# Doublewall Brown, R.S.C. (Inside Dimensions 41 <sup>5</sup> / <sub>16</sub> x 28 <sup>3</sup> / <sub>16</sub> x 24 <sup>1</sup> / <sub>8</sub> )		E	10
†*BC4	42 x 29 x 25 <sup>1</sup> / <sub>2</sub> A.T.A. 200# Doublewall Brown, F.O.L. Bottom and R.S.C. Top (Inside Dimensions 41 <sup>5</sup> / <sub>16</sub> x 28 <sup>3</sup> / <sub>16</sub> x 23 <sup>7</sup> / <sub>8</sub> )		E	12
†*BC1	42 x 29 x 25 <sup>1</sup> / <sub>2</sub> A.T.A. 425# Doublewall Brown, R.S.C. (Inside Dimensions 41 <sup>5</sup> / <sub>16</sub> x 28 <sup>3</sup> / <sub>16</sub> x 24 <sup>1</sup> / <sub>8</sub> )		E	15
†*BC2	42 x 29 x 25 <sup>1</sup> / <sub>2</sub> A.T.A. Heavy Duty T-Wall Brown, R.S.C. (Inside Dimensions 41 <sup>1</sup> / <sub>4</sub> x 28 <sup>1</sup> / <sub>2</sub> x 24 <sup>1</sup> / <sub>8</sub> )		E	20
†*BC9NP	48 x 40 x 37 <sup>1</sup> / <sub>2</sub> <b>without</b> Wooden Pallet A.T.A. 425# Doublewall Brown (Inside Dimensions 46 x 37 <sup>3</sup> / <sub>4</sub> x 36 <sup>3</sup> / <sub>4</sub> )		Truck Pack	27
†*BC9	48 x 40 x 42 <sup>1</sup> / <sub>2</sub> <b>with</b> Wooden Pallet A.T.A. 425# Doublewall Brown (Inside Dimensions 46 x 37 <sup>3</sup> / <sub>4</sub> x 36 <sup>3</sup> / <sub>4</sub> )		Truck Pack	56
†*BC3NP	58 x 41 x 40 <b>without</b> Wooden Pallet A.T.A. 425# Doublewall Brown (Inside Dimensions 55 <sup>3</sup> / <sub>8</sub> x 38 <sup>1</sup> / <sub>2</sub> x 39 <sup>1</sup> / <sub>4</sub> )		D	31
†*BC3	58 x 41 x 45 <b>with</b> Wooden Pallet A.T.A. 425# Doublewall Brown (Inside Dimensions 55 <sup>3</sup> / <sub>8</sub> x 38 <sup>1</sup> / <sub>2</sub> x 39 <sup>1</sup> / <sub>4</sub> )		D	60

\*Exceeds U.S. Postal Service 108" max. †Exceeds U.P.S. 130" max.

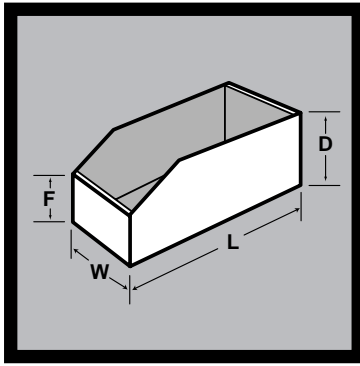


## CORRUGATED PADS AND SHEETS

- **TP pads** are all manufactured from **#3 WHITE, 200# TEST** material (unless otherwise noted)
- **RP pads** are all manufactured from **BROWN, 32 ECT** material (unless otherwise noted)

Ready for picture packing, envelope stiffeners or layer pads in many of our stock containers—First dimension listed indicates the direction of corrugation.

Stock No.	Dimensions W × L	No. Per Bundle	No. Per Pallet	Stock No.	Inside Dimensions L × W × D	No. Per Bundle	No. Per Pallet
RP6	7 <sup>1</sup> / <sub>16</sub> × 5 <sup>1</sup> / <sub>16</sub>	50	12000	RP27	20 × 72	25	500
TP6	7 <sup>1</sup> / <sub>16</sub> × 5 <sup>1</sup> / <sub>16</sub>	50	12000	RP39	22 × 28	25	1000
RP12	8 × 8	50	6250	TP39	22 × 28	25	1000
TP12	8 × 8	50	6250	RP37	24 × 18	50	1000
RP2	8 <sup>1</sup> / <sub>2</sub> × 11 (Letter Size)	50	6000	TP37	24 × 18	50	1000
TP2	8 <sup>1</sup> / <sub>2</sub> × 11 (Letter Size)	50	6000	RP38	24 × 20	50	1000
RP30	8 <sup>1</sup> / <sub>2</sub> × 14 <sup>7</sup> / <sub>8</sub>	50	3000	TP38	24 × 20	50	1000
TP30	8 <sup>1</sup> / <sub>2</sub> × 14 <sup>7</sup> / <sub>8</sub>	50	3000	RP11	24 × 36	25	500
RP1	9 × 6	50	7500	TP11	24 × 36	25	500
RP4	9 × 9	50	6250	RP17	24 × 48	25	500
RP3	10 × 8	50	5000	TP17	24 × 48	25	500
TP3	10 × 8	50	5000	RP14	24 × 72	10	540
RP5	10 × 10	50	5000	TP14	24 × 72	10	540
TP5	10 × 10	50	5000	RP43	30 × 24	50	500
RP36	12 × 9	50	5000	RP28	30 × 72	10	270
TP36	12 × 9	50	5000	TP28	30 × 72	10	270
RP20	12 × 10	50	4000	RP42	32 × 48 (Poster Size)	25	250
TP20	12 × 10	50	4000	TP42	32 × 48 (Poster Size)	25	250
RP7	12 × 12	50	4000	RP29	36 × 48	20	260
TP7	12 × 12	50	4000	TP29	36 × 48	20	260
RP22	12 <sup>1</sup> / <sub>2</sub> × 12 <sup>1</sup> / <sub>2</sub>	50	3000	RP15	36 × 72	10	270
RP13	14 × 11	50	3000	TP15	36 × 72	10	270
TP13	14 × 11	50	3000	RP31	40 × 48	15	270
RP16	14 × 12	50	3000	TP31	40 × 48	15	270
RP8	14 × 14	50	2250	TP44	40 × 48 (275# D/W)	10	160
TP8	14 × 14	50	2250	RP32	48 × 48	10	270
RP33	14 <sup>7</sup> / <sub>8</sub> × 11	50	3000	TP32	48 × 48	10	270
RP35	16 × 12	50	3000	RP18	48 × 72	10	270
TP35	16 × 12	50	3000	TP18	48 × 72	10	270
RP9	16 × 16	50	2250	RP19	48 × 96	10	270
TP9	16 × 16	50	2250	TP19	48 × 96	10	270
RP24	17 × 11	50	2000	TP40	48 × 96 (275# D/W)	5	160
TP24	17 × 11	50	2000	RP40	48 × 96 (51 ECT D/W)	5	160
RP10	18 × 18	50	1500				
TP10	18 × 18	50	1500				
RP25	18 × 72	25	500				
RP26	20 × 14	50	1500				
TP26	20 × 14	50	1500				
RP34	20 × 16	50	1500				
TP34	20 × 16	50	1500				

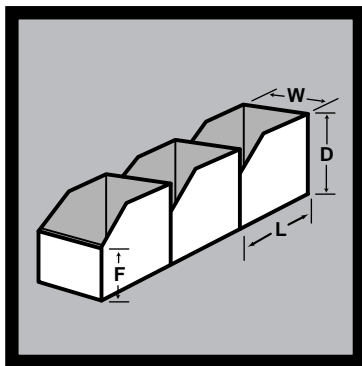


## CORRUGATED (DIE-CUT) SELF-LOCKING BIN BOXES

32 ECT #3 WHITE OUTSIDE (UNLESS OTHERWISE NOTED)

Use for organized storage of parts on standard shelf depths — Rigid self-locking construction — Until ready for use they store flat — Assemble in seconds — All dimensions are outside dimensions.

Stock No.	Outside Dimensions L x W x D		No. Per Bundle	No. Per Pallet	Stock No.	Inside Dimensions L x W x D		No. Per Bundle	No. Per Pallet
B23	6 x 3 x 4 1/2	(F = 2 5/8)	50	2800	B7	18 x 4 x 6	(F = 3 3/8)	50	1050
B24	6 x 4 x 4 1/2	(F = 2 5/8)	50	2800	B18	18 x 6 x 4 1/2	(F = 2 5/8)	50	1400
B31	9 x 2 x 4 1/2	(F = 2 5/8)	50	2800	B39	18 x 6 x 10	(F = 5 1/8)	25	700
B32	9 x 4 x 4 1/2	(F = 2 5/8)	50	2800	B20	18 x 8 x 4 1/2	(F = 2 5/8)	50	1400
B33	9 x 6 x 4 1/2	(F = 2 1/2)	50	2100	B11	18 x 8 x 10	(F = 5 1/8)	25	700
B2	12 x 2 x 4 1/2	(F = 2 5/8)	50	2800	B22	18 x 10 x 4 1/2	(F = 2 5/8)	50	1050
B4	12 x 4 x 4 1/2	(F = 2 5/8)	50	2800	B40	18 x 10 x 10	(F = 5 1/8)	25	700
B5	12 x 4 x 6	(F = 3 3/8)	50	1050	B28	18 x 12 x 4 1/2	(F = 2 5/8)	50	700
B6	12 x 6 x 4 1/2	(F = 2 5/8)	50	2100	B41	18 x 12 x 10	(F = 5 1/8)	25	700
B30	12 x 6 x 6	(F = 3 3/8)	50	1400	B29	18 x 18 x 10	(F = 5 1/8)	25	350
B21	12 x 6 x 8	(F = 4 5/8)	50	700	B13	24 x 4 x 4 1/2	(F = 2 5/8)	50	1050
B8	12 x 8 x 4 1/2	(F = 2 5/8)	50	1400	B42	24 x 4 x 6	(F = 3 3/8)	50	1050
B1	12 x 8 x 6	(F = 3 1/8)	50	1400	B14	24 x 6 x 4 1/2	(F = 2 5/8)	50	1050
B25	12 x 8 x 8	(F = 4 5/8)	50	700	B43	24 x 6 x 6	(F = 3 1/2)	50	700
B10	12 x 10 x 4 1/2	(F = 2 5/8)	50	1400	B15	24 x 8 x 4 1/2	(F = 2 5/8)	50	1050
B26	12 x 10 x 8	(F = 4 5/8)	50	700	B44	24 x 8 x 6	(F = 3 1/2)	50	700
B12	12 x 12 x 4 1/2	(F = 2 5/8)	50	1400	B34	24 x 12 x 6 1/2	(F = 4 3/8)	25	700
B3	12 x 12 x 6	(F = 3 3/8)	50	700	B45	24 x 12 x 12	(F = 6 1/8)	25	350
B38	12 x 12 x 8	(F = 4 5/8)	50	700	B27	24 x 18 x 12	(F = 6 1/8) (275# Test)	10	270
B35	15 x 4 x 4 1/2	(F = 2 5/8)	50	1400					
B36	15 x 6 x 4 1/2	(F = 2 5/8)	50	1400					
B37	15 x 8 x 4 1/2	(F = 2 5/8)	50	1400					
B19	18 x 2 x 4 1/2	(F = 2 5/8)	50	2100					
B16	18 x 4 x 4 1/2	(F = 2 5/8)	50	1400					

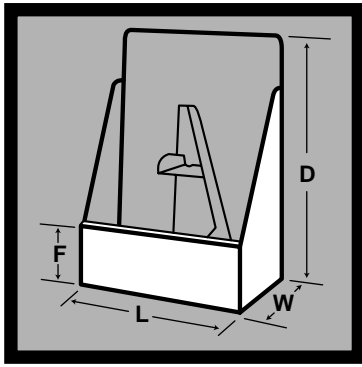


## CORRUGATED (DIE-CUT) SELF-LOCKING BIN BOX DIVIDERS

32 ECT #3 WHITE OUTSIDE

For use in Bin Boxes to form separate inserts for more efficient storage  
Store flat — Assemble in seconds — All dimensions are outside dimensions.

Stock No.	Outside Dimensions L x W x D		No. Per Bundle	No. Per Pallet
B2INS	3 3/4 x 1 11/16 x 4 1/4	(F = 2 3/8) (Fits 2" Bins)	50	5600
B4INS	3 3/4 x 3 1/2 x 4 1/4	(F = 2 3/8) (Fits 4" Bins)	50	3500
B6INS	3 3/4 x 5 5/8 x 4 1/4	(F = 2 3/8) (Fits 6" Bins)	50	3150
B8INS	3 3/4 x 7 5/8 x 4 1/4	(F = 2 3/8) (Fits 8" Bins)	50	4200

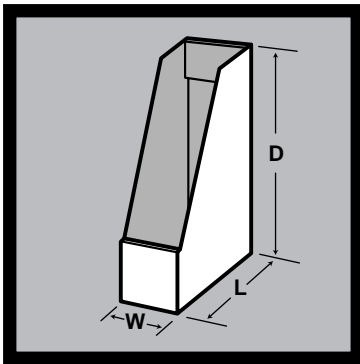


**CORRUGATED (DIE-CUT)**  
**ONE PIECE SELF-LOCKING**  
**COUNTER DISPLAY EASELS**

**200# TEST #1 WHITE TWO SIDES**

*Furnished flat — No tape, glue or staples necessary — Assemble in seconds — Used to display catalogs and other types of literature — Not to be used as a shipper — All dimensions are inside dimensions.*

Stock No.	Inside Dimensions L x W x D		No. Per Bundle	No. Per Pallet
TCD1	3 <sup>7</sup> / <sub>8</sub> x 1 <sup>3</sup> / <sub>4</sub> x 8 <sup>1</sup> / <sub>2</sub>	(F = 2 <sup>7</sup> / <sub>16</sub> " )	50	2800
TCD2	8 <sup>3</sup> / <sub>4</sub> x 2 x 11 <sup>1</sup> / <sub>4</sub>	(F = 2 <sup>3</sup> / <sub>4</sub> " ) (Letter Size)	50	1400

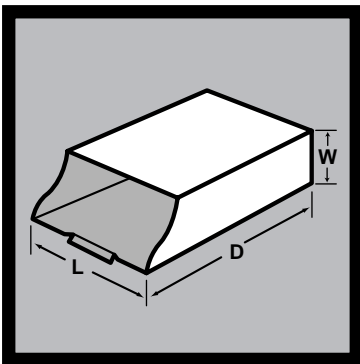


**CORRUGATED (DIE-CUT)**  
**ONE PIECE SELF-LOCKING**  
**MAGAZINE-LITERATURE FILE**

**32 ECT #3 WHITE OUTSIDE**

*Furnished flat — No tape, glue or staples necessary — Assemble in seconds — Used to organize, display, and store magazines, newsletters, pamphlets, annual reports, catalogs...all types of literature — Not to be used as a shipper — All dimensions are inside dimensions.*

Stock No.	Inside Dimensions L x W x D		No. Per Bundle	No. Per Pallet
TMF2	9 <sup>1</sup> / <sub>4</sub> x 4 x 12	(Popular Magazine & Letter Size)	50	1050

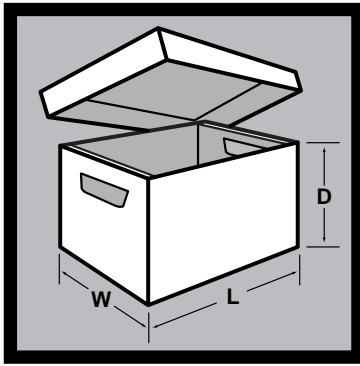


**CORRUGATED (DIE-CUT)**  
**ONE PIECE SELF-LOCKING**  
**LITERATURE TRAYS**

**32 ECT #3 WHITE OUTSIDE**

*Furnished flat — No tape, glue or staples necessary — Assemble in seconds — Used to organize your literature, storage shelves — Not to be used as a shipper — All dimensions are inside dimensions.*

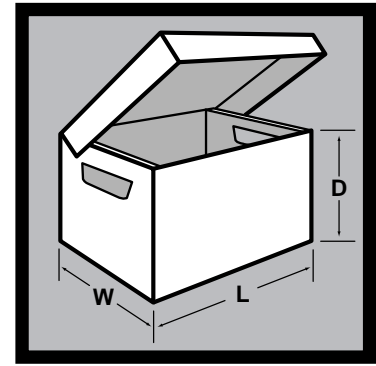
Stock No.	Inside Dimensions L x W x D		No. Per Bundle	No. Per Pallet
LT1	8 <sup>5</sup> / <sub>8</sub> x 3 <sup>1</sup> / <sub>4</sub> x 11 <sup>1</sup> / <sub>4</sub>	(Letter Size)	50	2100



**CORRUGATED (DIE-CUT)  
SELF-LOCKING  
RECORD FILE  
BOXES WITH LID**

- **RF** boxes are all manufactured from **#3 WHITE, 200# TEST** material
- **RRF** boxes are all manufactured from **BROWN, 32 ECT** material

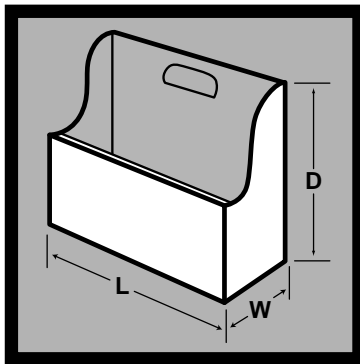
All have completely self- locking body and cover — Furnished flat — All dimensions are inside dimensions.



**CF1, RF1, RF2, RRF2, RF3**

**RF4, RRF4, RF5, RF6**

Stock No.	Inside Dimensions L x W x D		No. Per Bundle	No. Per Pallet
<b>RF6</b>	15 x 9 <sup>3</sup> / <sub>4</sub> x 12 <sup>1</sup> / <sub>4</sub>	with Lid (Double Bottom and Triple Ends) (Accommodates Side Cut File Folders)	25	350
<b>CF1</b>	15 x 10 <sup>1</sup> / <sub>2</sub> x 4 <sup>1</sup> / <sub>2</sub>	with Lid (Check File Box)	25	700
<b>RF1</b>	15 x 12 x 10	with Lid (Snap Lock Bottom with Double Sides and Double Ends)	25	700
<b>RP16</b>	14 x 12	Plain Pad	50	3000
<b>RRF2</b>	15 x 12 x 10	With Lid (Double Bottom and Double Ends)	25	700
<b>RF2</b>	15 x 12 x 10	with Lid (Double Bottom and Double Ends)	25	700
<b>RF3</b>	15 x 12 x 10	with Lid ( <b>Woodgrain</b> with Triple Ends, Double Sides and Double Bottom)	25	350
<b>RRF4</b>	15 <sup>1</sup> / <sub>4</sub> x 12 <sup>1</sup> / <sub>4</sub> x 10	With Lid Attached (Double Bottom and Triple Ends)	25	350
<b>RF4</b>	15 <sup>1</sup> / <sub>4</sub> x 12 <sup>1</sup> / <sub>4</sub> x 10	with Lid attached (Double Bottom and Triple Ends)	25	350
<b>RF5</b>	24 <sup>1</sup> / <sub>2</sub> x 15 <sup>1</sup> / <sub>4</sub> x 10	with Lid attached (Double Bottom and Triple Ends)	10	360

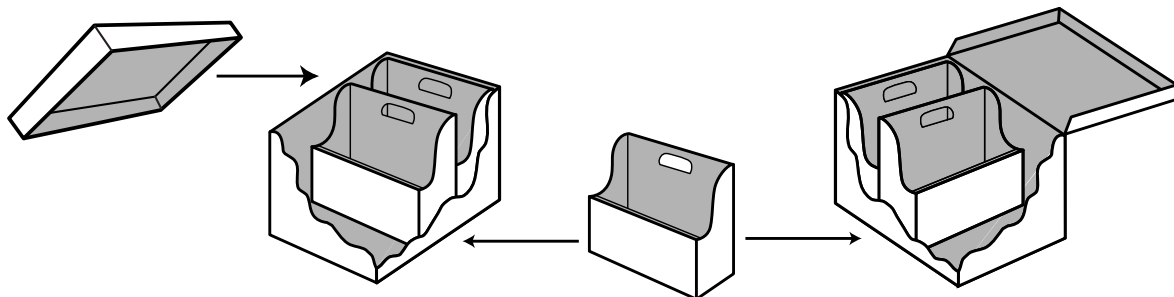


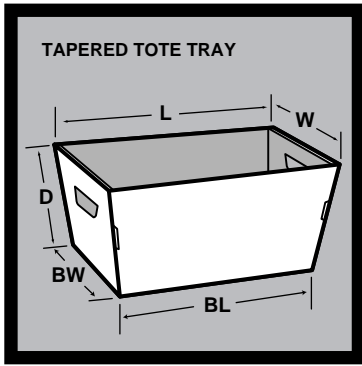
**CORRUGATED (DIE-CUT)  
ONE-PIECE SELF-LOCKING FILE AID  
WITH HAND HOLE**

**32 ECT #3 WHITE OUTSIDE**

Furnished flat — No tape, glue or staples necessary — Assemble in seconds — Used for filing or storing records — Not to be used as a shipper — All dimensions are outside dimensions.

Stock No.	Outside Dimensions L x W x D	No. Per Bundle	No. Per Pallet
<b>FA1</b>	12 x 5 x 9 <sup>7</sup> / <sub>8</sub>	25	700



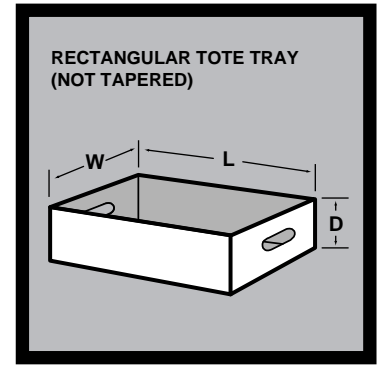


TTT

## CORRUGATED (DIE-CUT) SELF-LOCKING TOTE TRAYS

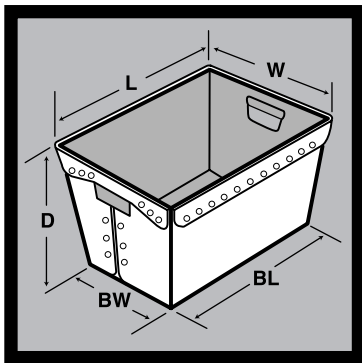
### 275# TEST #3 WHITE OUTSIDE

Solves your material handling problems —  
Tapered sides allow for nesting when empty —  
Furnished flat — Rigid self-closing design sets  
up in seconds — All dimensions are inside  
dimensions — The coating on the TTT3 resists oil  
and water, adds to the life of the tray, and is  
**100% recyclable.**



TT

Stock No.	Inside Dimensions L x W x D	No. Per Bundle	No. Per Pallet
TT1	13 <sup>1</sup> / <sub>2</sub> x 13 <sup>1</sup> / <sub>2</sub> x 3 <sup>1</sup> / <sub>2</sub>	25	750
TTT9	16 x 10 x 7 (Inside Bottom Dimensions BL=13 <sup>1</sup> / <sub>2</sub> " x BW=8")	25	500
TT7	18 x 12 x 6	25	500
TTT3	19 <sup>1</sup> / <sub>2</sub> x 13 x 10 (Coated 2 Sides, and #3 White 2 Sides) (Inside Bottom Dimensions BL=15 <sup>1</sup> / <sub>2</sub> " x BW=9")	20	240
TTT6	19 <sup>1</sup> / <sub>2</sub> x 13 x 10 (Inside Bottom Dimensions BL=14 <sup>7</sup> / <sub>8</sub> " x BW=8 <sup>15</sup> / <sub>16</sub> ")	20	240
TT4	22 x 15 <sup>1</sup> / <sub>2</sub> x 6	15	240
TTT5	25 x 19 x 12 (Inside Bottom Dimensions BL=21 <sup>1</sup> / <sub>2</sub> " x BW=14 <sup>3</sup> / <sub>4</sub> ")	10	250

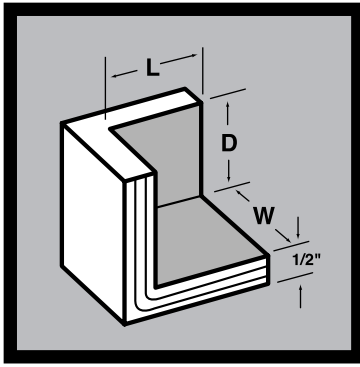


## PLASTIC TAPERED TOTE TRAYS

### 160# POLYPROPYLENE TRANSLUCENT WHITE

Post Office Style Totes — Set Up. Nestable — Wire Reinforced —  
Ultrasonically Welded — Chemical & Moisture Resistant —  
Puncture & Tear Resistant — Easy to Clean — Reusable —  
Recyclable PP ♻️

Stock No.	Inside Dimensions L x W x D	No. Per Carton	No. Per Pallet
PTTT6	17 x 12 <sup>3</sup> / <sub>8</sub> x 11 <sup>1</sup> / <sub>2</sub> (Inside Bottom Dimensions BL=14 <sup>1</sup> / <sub>2</sub> " x BW=10 <sup>5</sup> / <sub>8</sub> ")	15	32
PTTT7	22 <sup>1</sup> / <sub>2</sub> x 14 <sup>5</sup> / <sub>8</sub> x 14 (Inside Bottom Dimensions BL=19 <sup>1</sup> / <sub>2</sub> " x BW=12 <sup>1</sup> / <sub>2</sub> ")	10	32

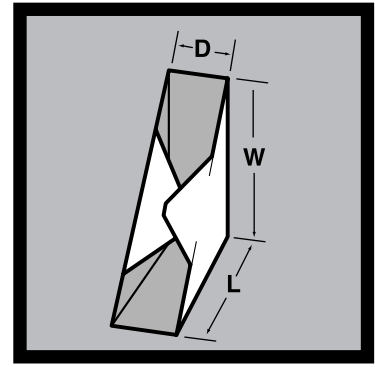


**CUSHION CORNER PAD**

**CORRUGATED (DIE-CUT)  
CORNER PADS**

**125# TEST #3 WHITE OUTSIDE**

*Furnished flat — No tape, glue or staples necessary — Assemble in seconds — Used for corner protection for furniture, cabinets, windows, doors, pictures, etc. — All dimensions are inside dimensions.*

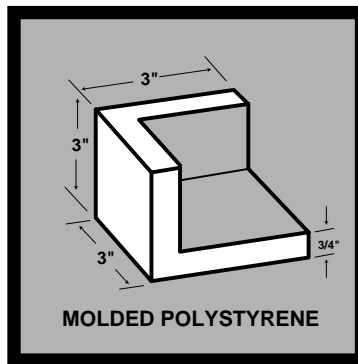


**TRIANGULAR PAD**

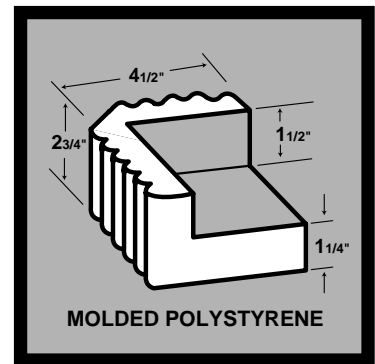
Stock No.	Inside Dimensions L x W x D		No. Per Bundle	No. Per Pallet
CB1	3 x 3 x 3	(Cushion Corner Pad)	50	3500
CB2	4 x 4 x 1	(Triangle Corner Pad)	50	8750
CB3	5 x 5 x 1 1/2	(Triangle Corner Pad)	50	6000
CB4	5 x 5 x 5	(Cushion Corner Pad)	50	1000
CB6	7 x 7 x 2	(Triangle Corner Pad)	50	3000

**FOAM CORNER BLOCKS**

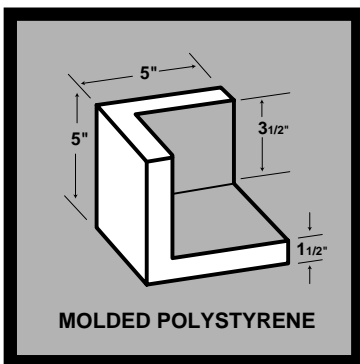
*Packaged in corrugated cartons — No set-up necessary — Used for corner protection when cushioning is required.*



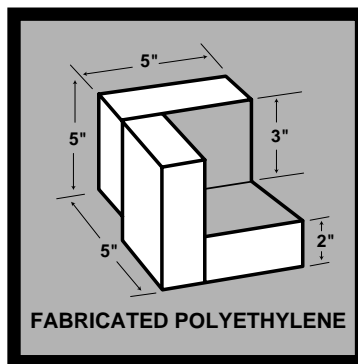
**FCB1**



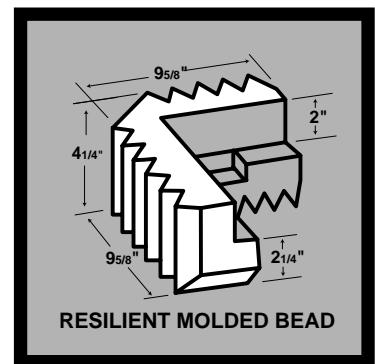
**FCB2**



**FCB3**

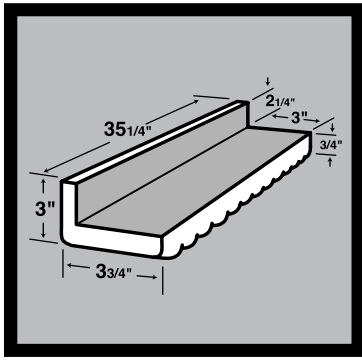


**FCB5**



**FCB6**

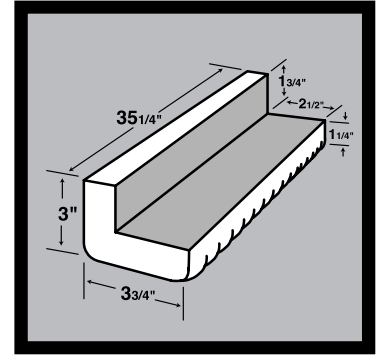
Stock No.	Inside Dimensions L x W x D		No. Per Carton	Wt. Per Carton
FCB1	2 1/4 x 2 1/4 x 2 1/4	(3/4" Wall Thickness)	1060	21
FCB5	3 x 3 x 3	(2" Wall Thickness)	168	21
FCB2	3 1/4 x 3 1/4 x 1 1/2	(1 1/4" Wall Thickness)	672	30
FCB3	3 1/2 x 3 1/2 x 3 1/2	(1 1/2" Wall Thickness)	168	13
FCB6	7 3/8 x 7 3/8 x 2	(2 1/4" Wall Thickness)	80	18



**FEP20**

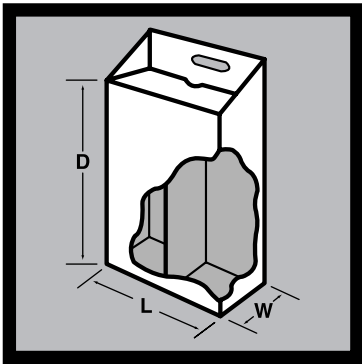
## MOLDED POLYSTYRENE EDGE PROTECTORS

*Packaged in corrugated cartons —  
No set-up necessary — used for edge protection  
when cushioning is required.*



**FEP21**

Stock No.	Inside Dimensions L x W x D	No. Per Carton	Wt. Per Carton
<b>FEP21</b>	35 1/4 x 2 1/2 x 1 3/4 (1 1/4" Wall Thickness)	<b>100</b>	<b>25</b>
<b>FEP20</b>	35 1/4 x 3 x 2 1/4 (3/4" Wall Thickness)	<b>100</b>	<b>16</b>

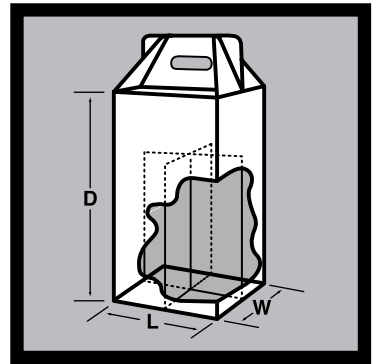


**2BP 3BP**

## CORRUGATED (DIE-CUT) ONE PIECE SELF-LOCKING CARRY-OUT BOTTLE PACKS

**32 ECT #3 WHITE OUTSIDE**

*Furnished flat—No tape, glue or staples necessary—Assemble in seconds—  
Fits all standard wine, liquor and champagne bottles—Ideal for carry-out, gifts and storage—  
2-BP and 3-BP packs can be placed back to back for ease in carrying—Not to be used as a shipper.*



**4BP 6BP**

Stock No.	Inside Dimensions L x W x D	No. Per Bundle	No. Per Pallet
<b>2BP</b>	7 1/8 x 3 1/2 x 13 1/4 (2 Pack)	<b>25</b>	<b>700</b>
<b>3BP</b>	10 3/4 x 3 1/2 x 13 1/4 (3 Pack)	<b>25</b>	<b>700</b>
<b>4BP</b>	7 1/4 x 7 1/4 x 13 1/4 (4 Pack)	<b>25</b>	<b>700</b>
<b>6BP</b>	10 3/4 x 7 1/4 x 13 1/4 (6 Pack)	<b>25</b>	<b>700</b>